








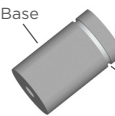

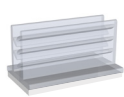
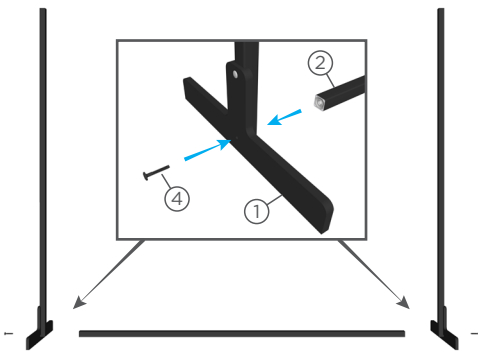


PARTS LIST

| | | | | | |
|--|--|--|--|--|---|
| <p>①  Leg 2 pc</p> | <p>②  Threaded Bar 1 pc</p> <p>③  Connector Bar 1 pc</p> | <p>④  Black Bolt 2 pc</p> | <p>⑤  Silver Bolt 4 pc</p> | | |
| <p>⑥  Main Graphic 1 pc</p> | <p>⑦  Stand-Off Graphic 1 pc</p> | <p>⑧  Clipper Graphic 1 pc</p> | <p>⑨  Allen Wrench 1 pc</p> | <p>⑩  Stand Off 4 pc</p> | <p>⑪  Washer 4 pc</p> <p>⑬  Clip 2 pc</p> |

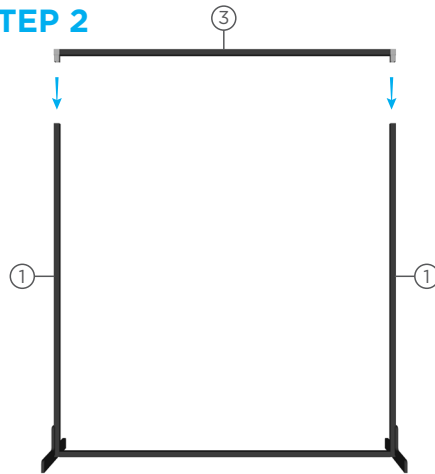
ASSEMBLY INSTRUCTIONS

STEP 1



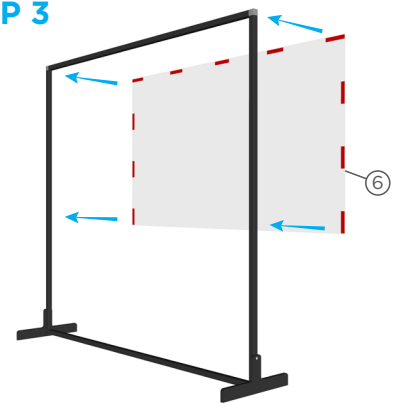
Attach both **legs**¹ to the ends of the **threaded bar**² using the two **black bolts**⁴ and **allen wrench**⁹.

STEP 2



Insert the ends of the **connector bar**³ into the top open ends of the **legs**¹. This completes the frame.

STEP 3



On the back of the **main graphic**⁶, peel off the backings off the tape. Then, adhere the graphic to the frame, making sure the top and left/right edges of the graphic are flush with the top and left/right edges of the frame.

STEP 4

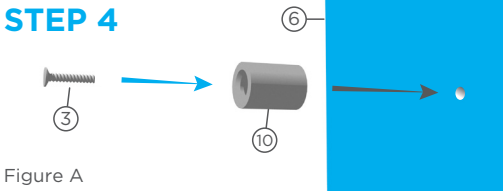


Figure A

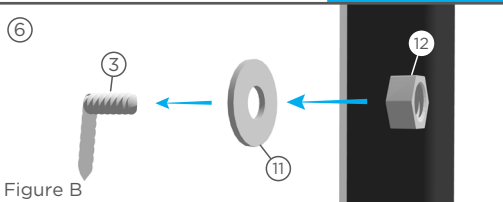
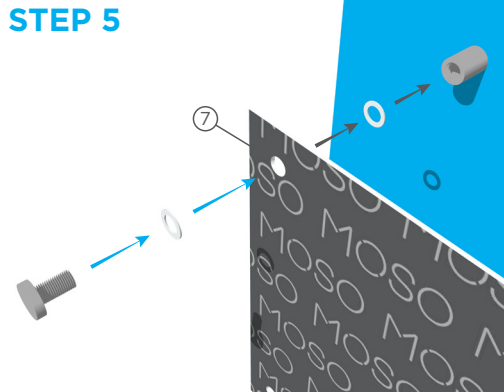


Figure B

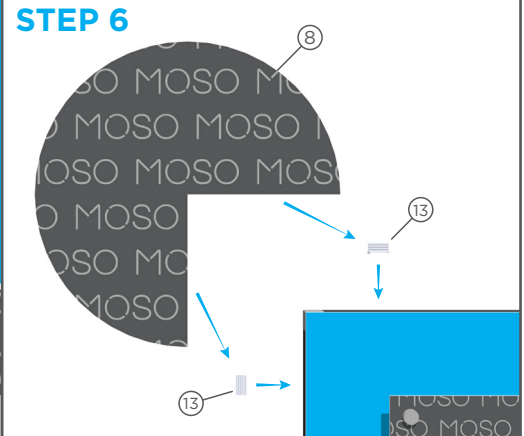
Set the caps and rings of the **stand offs**¹⁰ aside. (Figure A) Take the **silver bolts**⁵ and insert them into the stand off bases and through each drill hole on the front of the **main graphic**⁶. (Figure B) Secure the stand off using a **washer**¹¹ and **nut**¹² on the back of the main graphic.

STEP 5



Take the stand off caps and rings you set aside in Step 4 and use them to attach the **stand-off graphic**⁷. Place one ring onto the threaded end of the cap, then the graphic, followed by the second ring. Then, screw the caps with the rings and graphic into the stand off bases.

STEP 6



Take the adhesive backing off of the **clips**¹³ and apply them to the top-left corner area of the frame, each clip about four inches from the corner. Insert the **clipper graphic**⁸ into the clips.