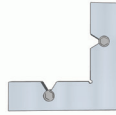


PARTS

① Extrusions (x4)



② L Brackets (X4)



③ Short Bolts (x4)



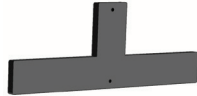
④ Long Bolts (x4)



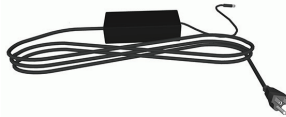
⑤ Leg (x2)



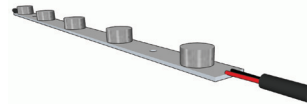
⑥ T-Foot (x2)



⑦ Power Adapter



⑧ LED Lights

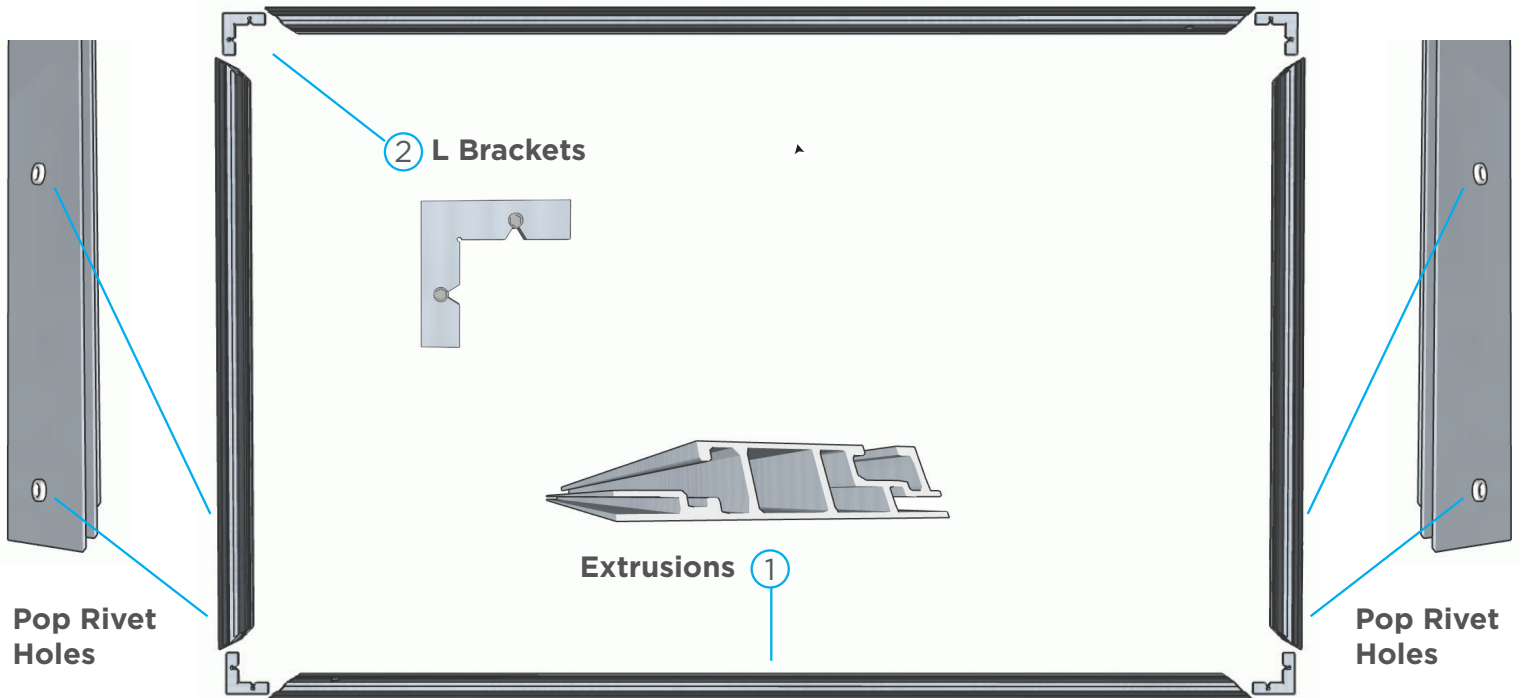


⑨ Extension Cable



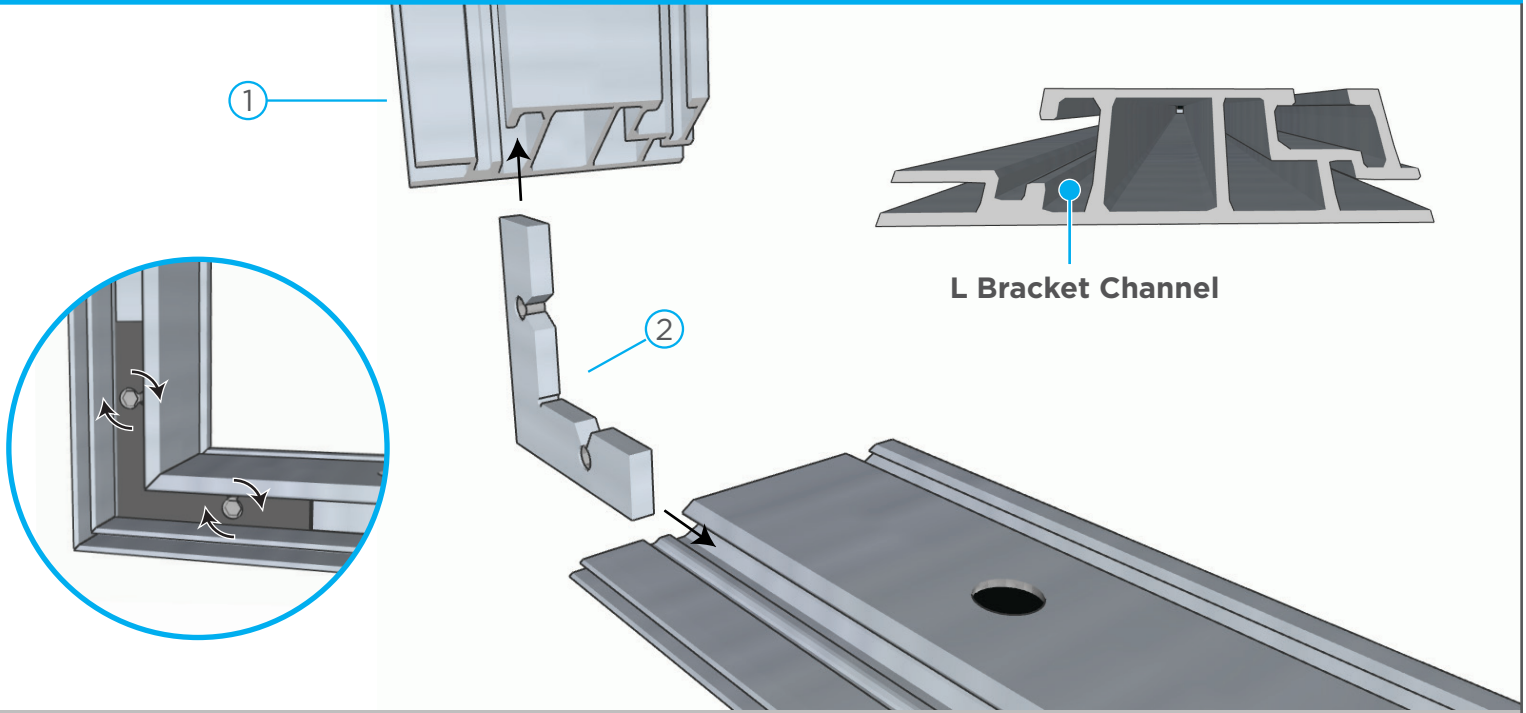
ASSEMBLY INSTRUCTIONS

Step 1

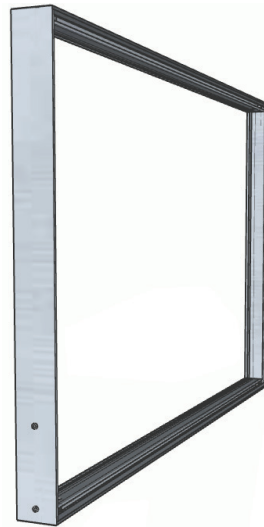
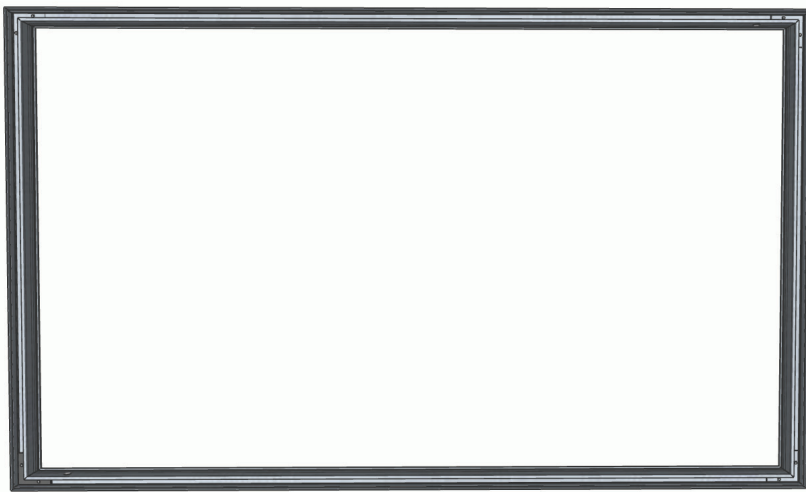


Depending on the size of the frame, form a square or rectangle by laying out the **Extrusions**<sup>1</sup> and the **L Brackets**<sup>2</sup> as illustrated. Two of the extrusions have Pop Rivet Holes on their sides. These are the left and right side of the frame. Make certain they are aligned the same way and that the Pop Rivet Holes match orientation.

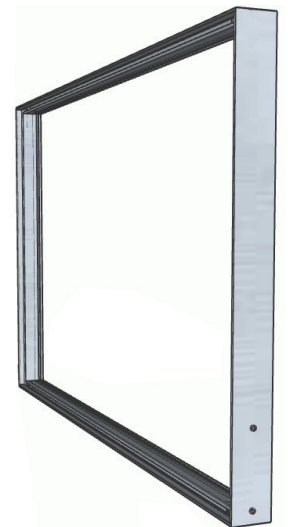
CONNECTING THE CORNERS



Connect all four corners by inserting the **L Brackets**<sup>2</sup> into the “Bracket Channel” of the **Extrusions**<sup>1</sup>. Join the corners together by tightening the screws on the **L Brackets**<sup>2</sup>.



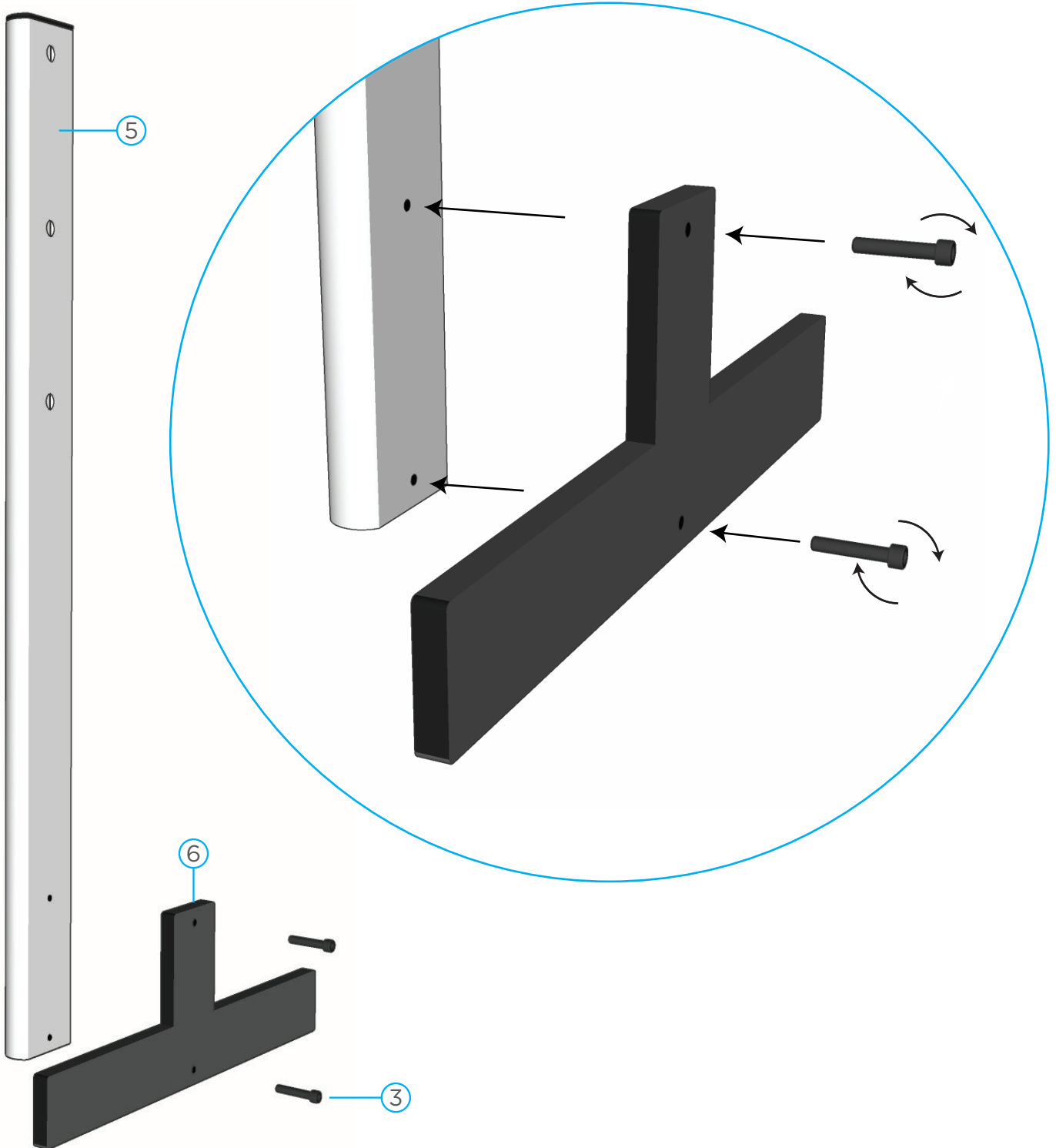
Left Side



Right Side

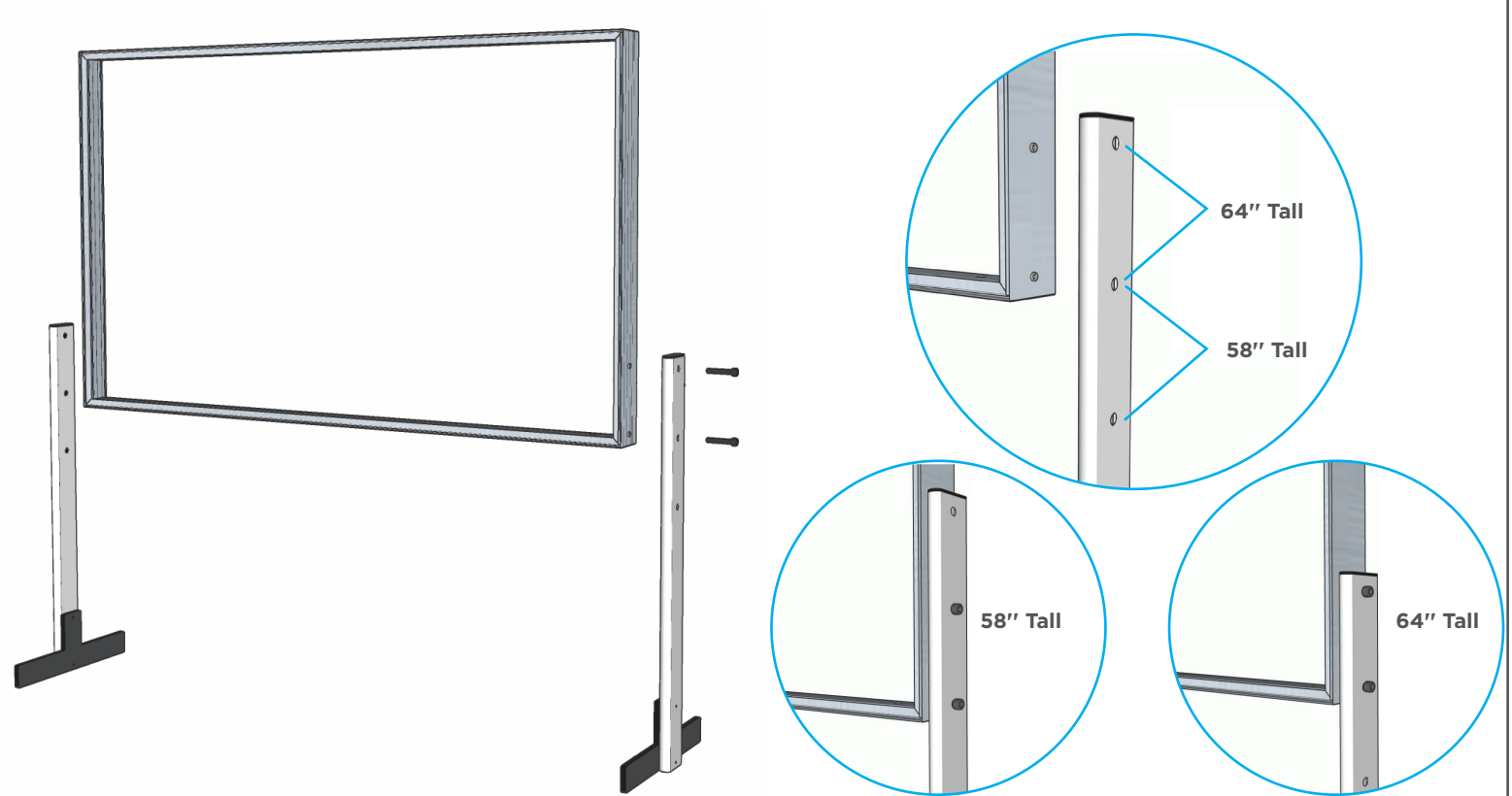
The frame is now fully assembled. The corners should be flush to each other and form a right angle. Adjust the corners if necessary. The left and right side of the frame should have their Pop Rivet Holes in the same orientation.

ASSEMBLING THE LEGS



Assemble the legs by taking a **Foot**<sup>6</sup> and attaching it to a **Leg**<sup>5</sup> by inserting two of the **Short Bolts**<sup>3</sup> through the **Foot**<sup>6</sup> and into the two rivnuts on the **Leg**<sup>5</sup>. Tighten clockwise until secure. Repeat steps for the second leg.

ATTACHING THE LEGS



Before you attach the legs to the frame choose a height. This Optium Headboard can be 64 or 58 inches tall. Use the top two holes on the legs to make the frame 64" tall, or the bottom two holes to make the frame 58" tall. Be certain to face the foot inwards before attaching the legs to the frame.

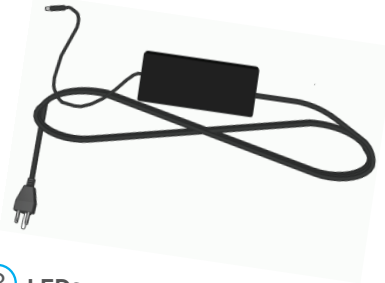


Attach the **Legs**<sup>5</sup> to the frame by inserting the **Long Bolts**<sup>4</sup> through the holes of the **Legs**<sup>5</sup> and screwing them into the Pop Rivet Holes on the frame. Tighten the **Long Bolts**<sup>4</sup> until secure. Use the round **decals** to cover up the unused holes on the legs.

ATTACHING THE LEDs



⑦ Power Supply



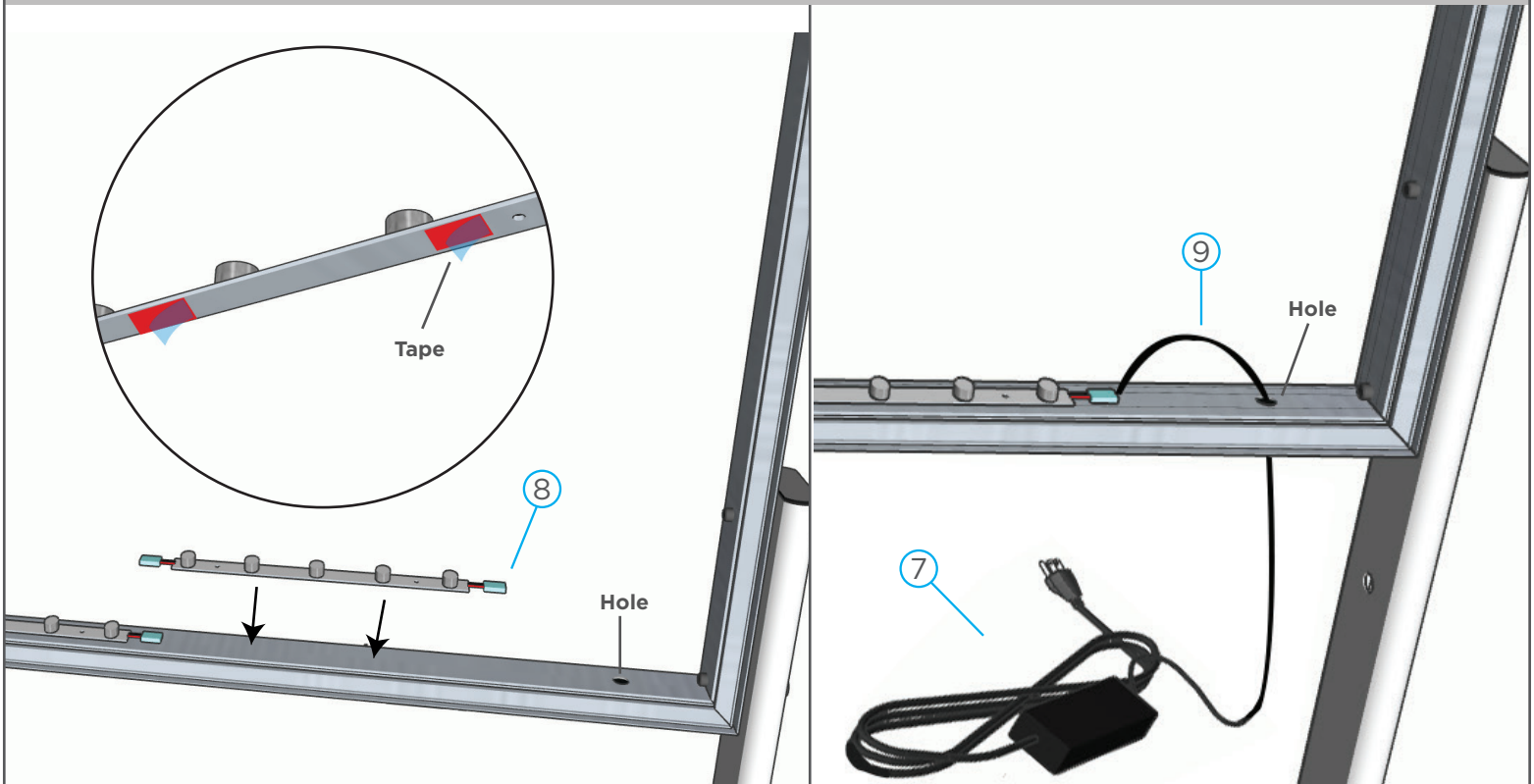
⑧ LEDs



⑨ Extension Cable

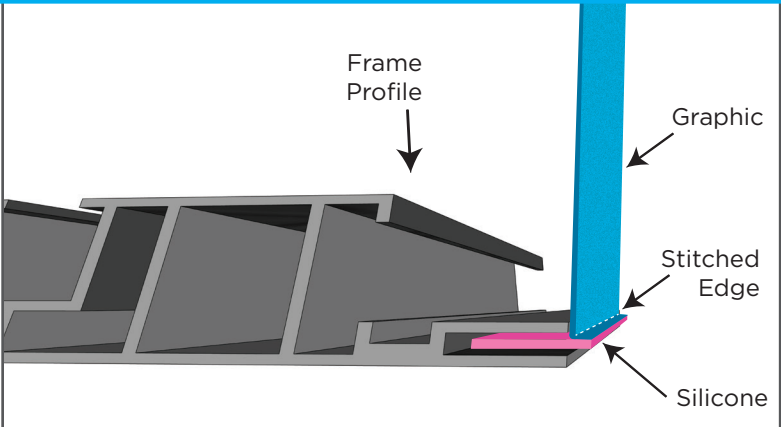
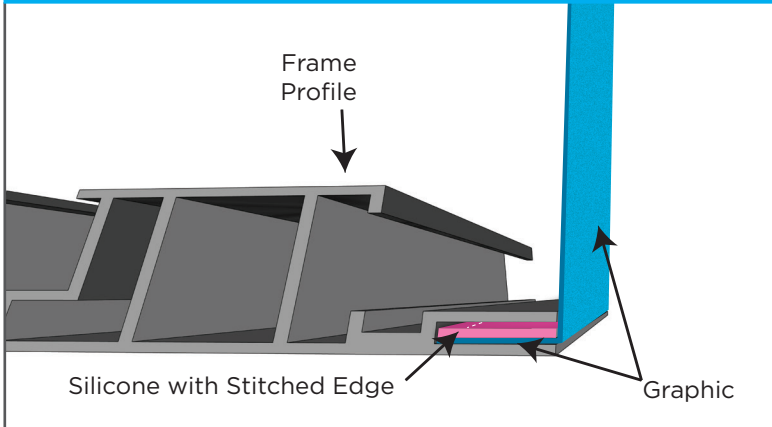


Display the Optium Headboard in the standing position. Assemble the **LEDs**<sup>8</sup> which includes the above components. Connect and evenly distribute the **LEDs**<sup>8</sup> together.



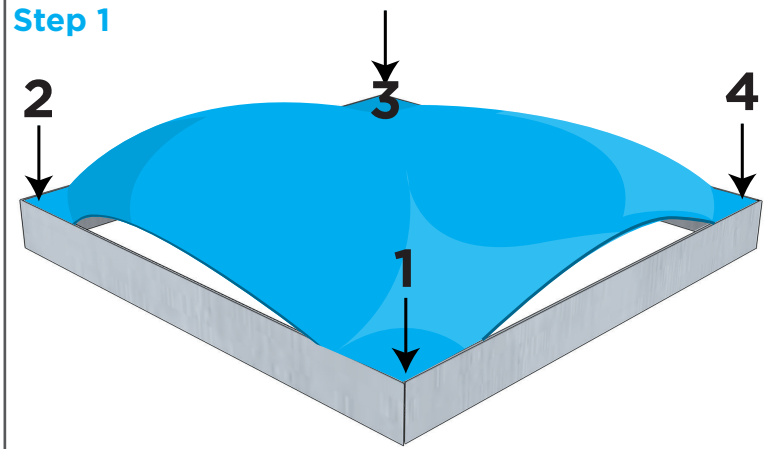
Using the Tape applied to the bottom of the **LEDs**<sup>8</sup>, Attach the **LEDs**<sup>8</sup> to the Bottom of the Frame and distribute them evenly. Connect the **Extension Cable**<sup>9</sup> to the LEDs and feed it through the Hole located on one end of the bottom bar. Connect the **Extension Cable**<sup>9</sup> to the **Power Supply**<sup>7</sup>.

**GRAPHIC INSTALLATION**

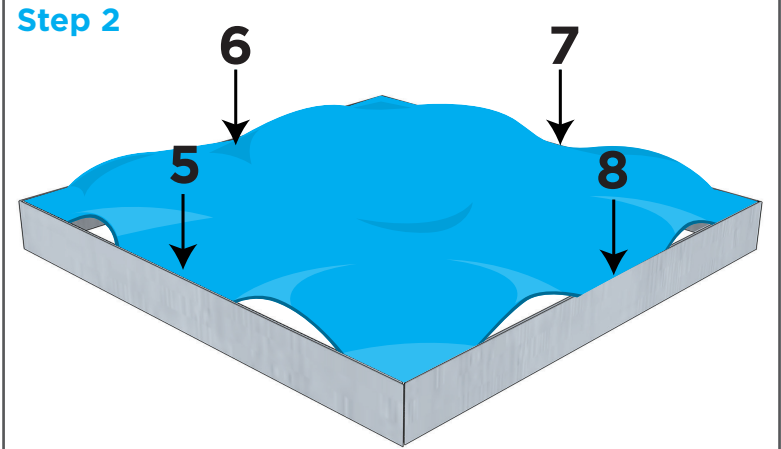


**CORRECT** Stitched edge inserted first, graphic is taut, no stitching or silicone keder is visible

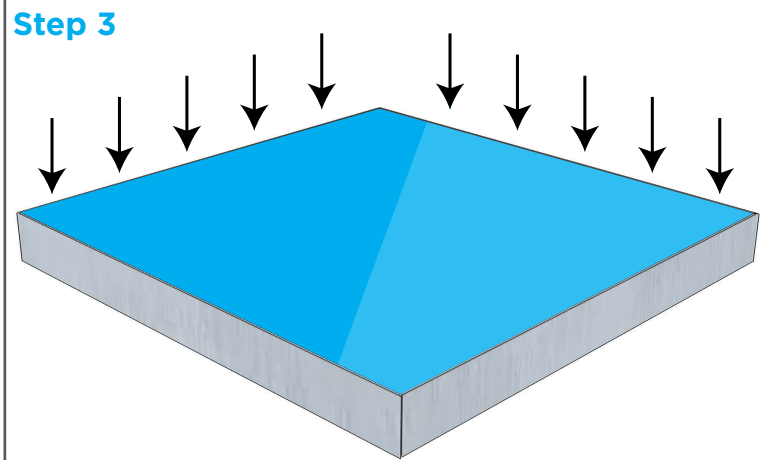
**INCORRECT** Silicone keder inserted first, the stitching and silicone edge is visible, graphic is loose



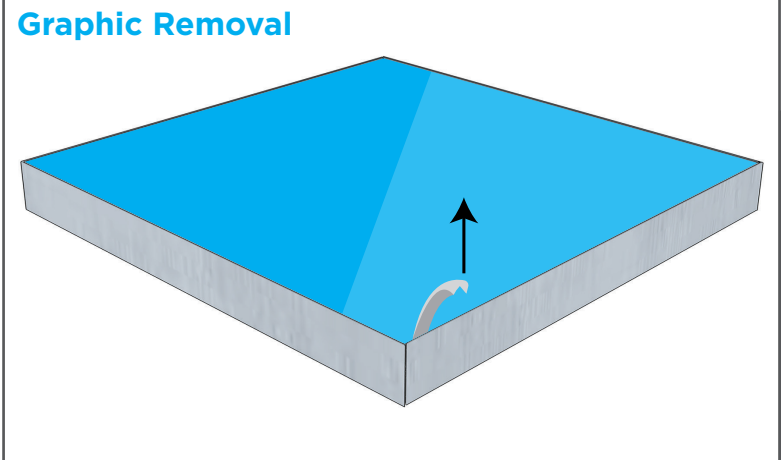
Push the silicone edge into each corner of the frame profile (1-4) with your thumb.



Push the silicone edge into the middle of each frame profile (5-8) and work your way around the perimeter of the frame until the silicone edge of the graphic is pushed in properly.

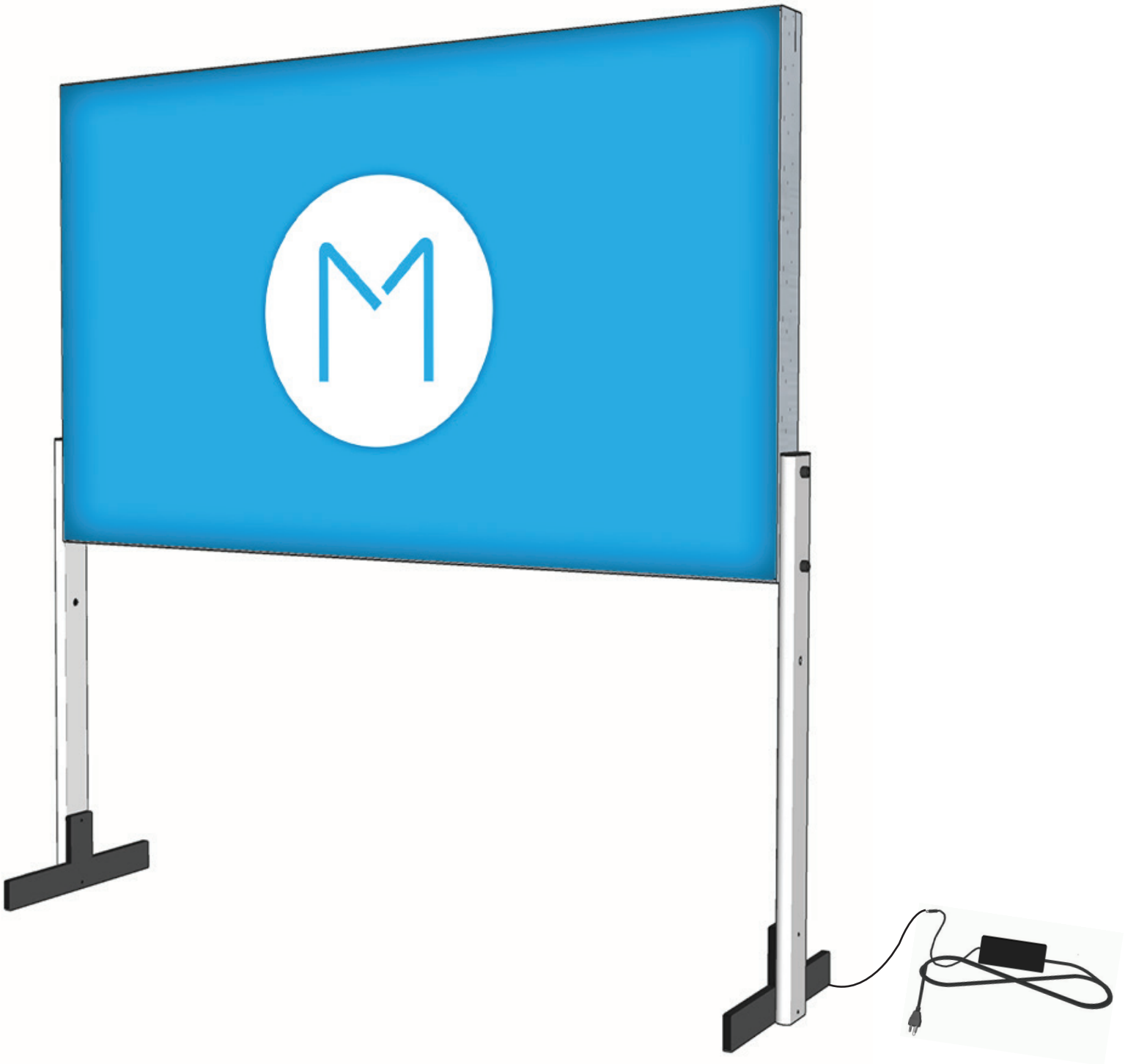


If necessary; Go around the perimeter again to ensure the silicone edge is secure and hidden in the frame profile. The graphic should be smooth and taut.



To remove the graphic pull the tab located on the graphic and gently pull the graphic from the frame, going around the perimeter.

ASSEMBLY COMPLETED



Once both graphics are installed plug the Power Supply into an outlet. The LEDs should illuminate the graphics. The Standing Optium Headboard is complete.