

Read Every Page Of The Instructions Before Assembling

**FRAME PARTS**

① 48" Extrusions (x2)



② 60" Extrusions w/ Butt-Joint Splice (x4)



③ L Brackets (X4)

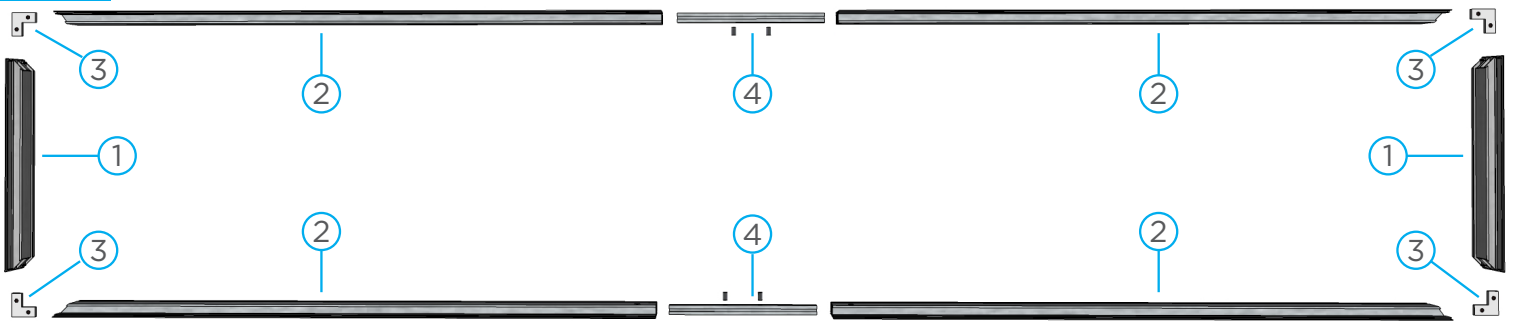


④ Splice Connectors w/ Threaded Inserts (X2)



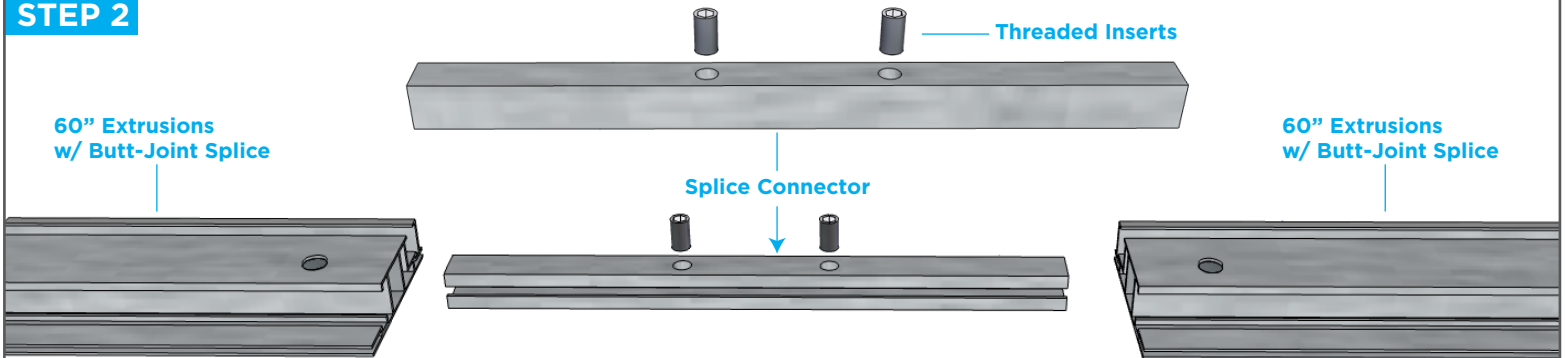
**FRAME ASSEMBLY INSTRUCTIONS**

**STEP 1**



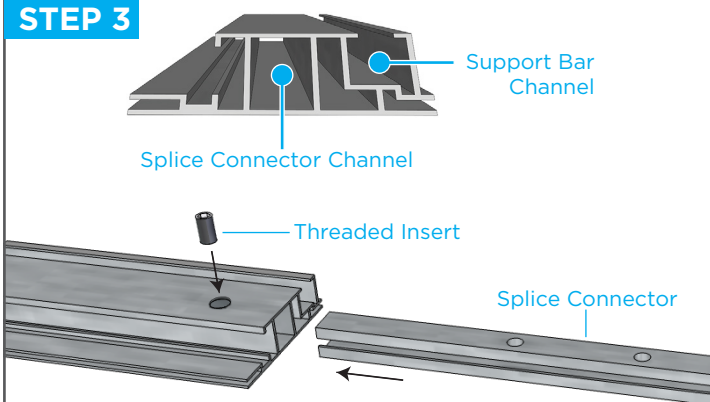
Form a rectangle by laying out the **Extrusions, Splice Connectors** and **L Brackets** as illustrated.

**STEP 2**



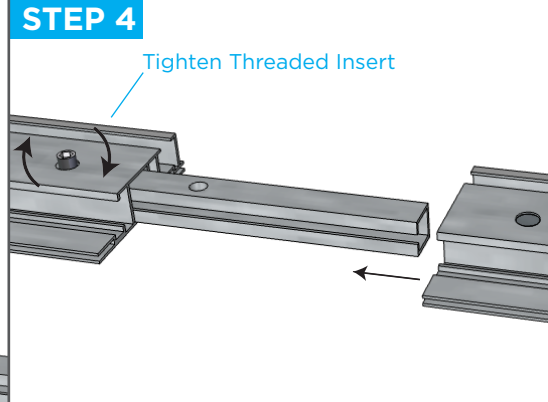
Large, oversized frames have the extrusions cut in half for shipping purposes. Under this circumstance you will have to use a **Splice Connector** to join the **60" Extrusions w/ Butt-Joint Splices** before you assemble the frame. This will create the top and bottom of the frame.

**STEP 3**



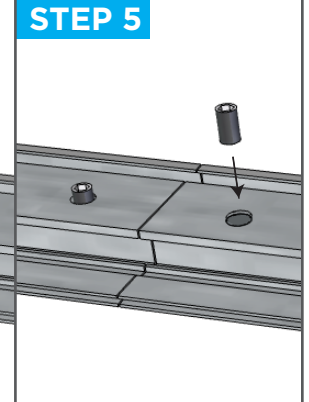
Insert a **Splice Connector** into the middle channel of the **60" Extrusions w/ Butt-Joint Splice**. Make certain the thread holes on the **Splice Connector** are facing the same direction as the hole located at the top of the butt-joint splice. Feed a **Threaded Insert** into the **Splice Connector** and tighten to lock into place.

**STEP 4**



Insert the other end of the **Splice Connector** into another **60" Extrusions w/ Butt-Joint Splice** until both ends meet.

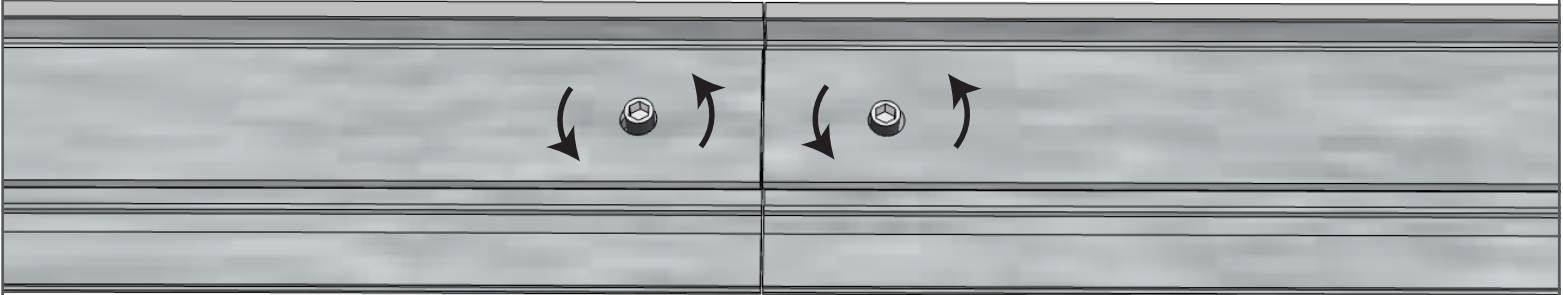
**STEP 5**



Feed and tighten another **Threaded Insert** into the second insert hole of the other extrusion and **Splice Connector**.

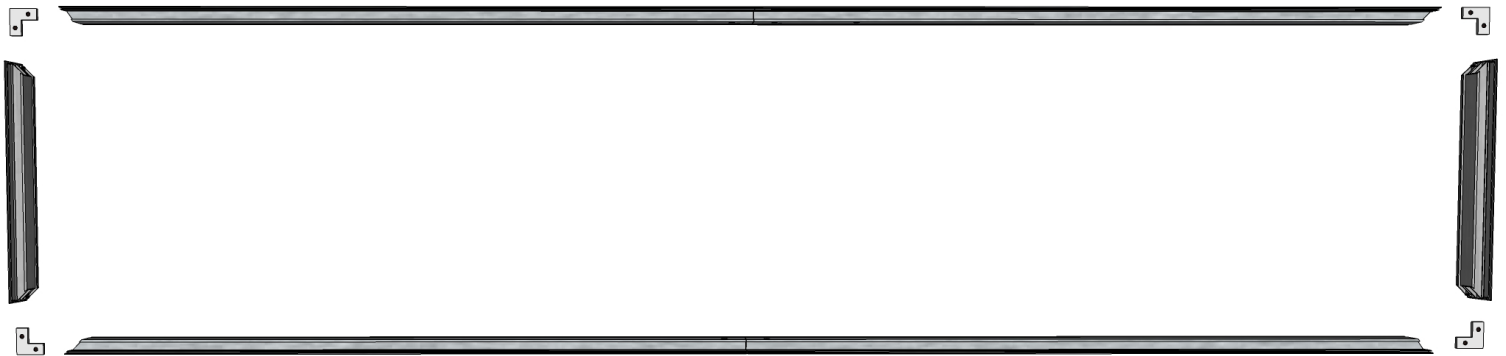
FRAME ASSEMBLY INSTRUCTIONS

STEP 6



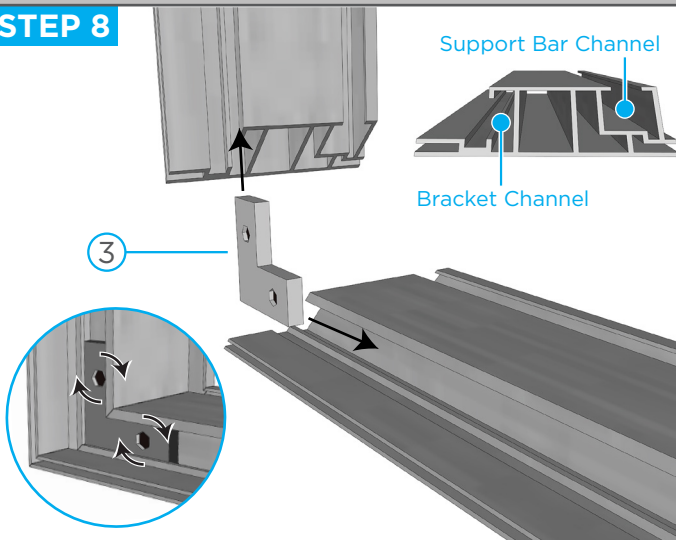
Tighten the **Threaded Inserts** on the **Splice Connector** until the ends of the **60" Extrusions w/Butt-Joint Splices** are flush to each other and form a solid connection. The spliced extrusion is now fully assembled. Continue to the other spliced extrusions until the spliced ends are connected.

STEP 7



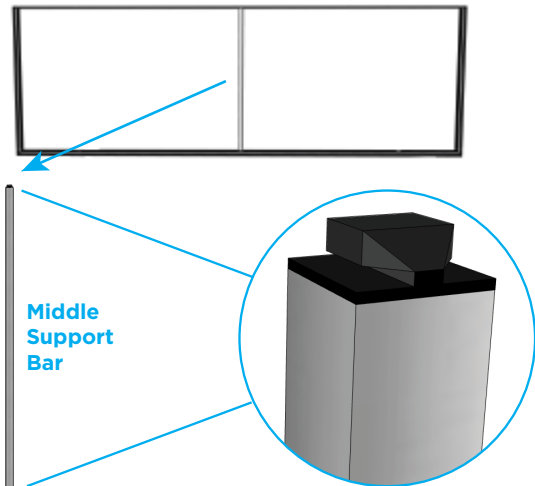
Now that the top and bottom extrusions have been connected together let's begin assembling the frame.

STEP 8



Connect all four corners by inserting the **L Brackets** into the "Bracket Channel" of the **Extrusions**. Join all of the corners together by tightening the screws on the **L Brackets**.

STEP 9

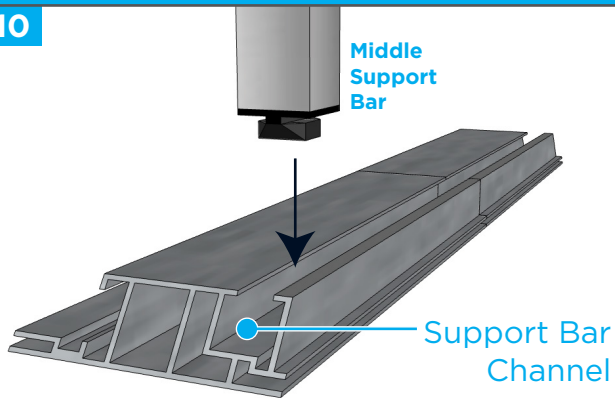


You will have to install a **Middle Support Bar** to keep the frame from sagging in the middle.

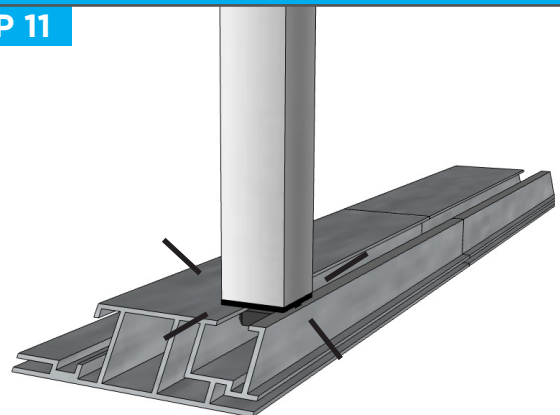
Continued →

**Middle Support Bar Installation**

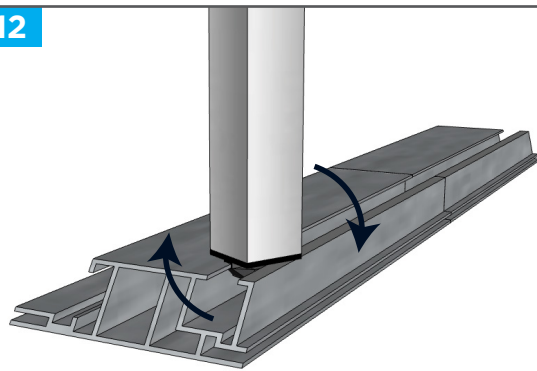
**STEP 10**



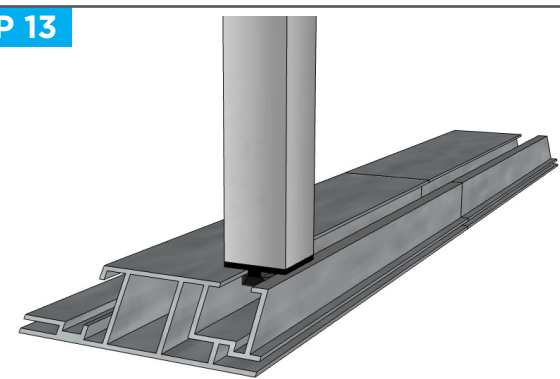
**STEP 11**



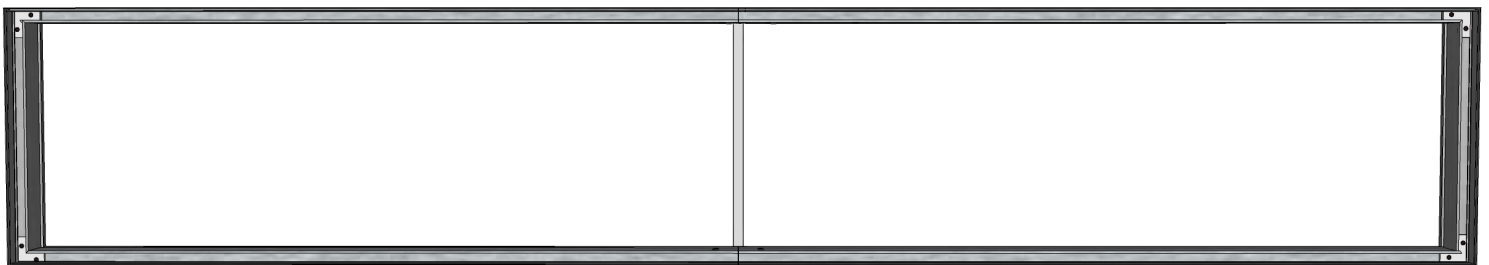
**STEP 12**



**STEP 13**



Make certain to vertically install the **Middle Support bar** into the center of the frame. Push the tips of the **Middle Support Bar** into the **Support Bar Channel**; then twist the **Middle Support Bar** 90 degrees until it is fastened to the frame. Installation of the **Middle Support Bar** is complete.



The frame is now fully assembled. The corners should be flush to each other and form a right angel. Adjust corners if necessary.

**Display Options**

Depending on which product you have, there are four ways to display an Optium Frame:

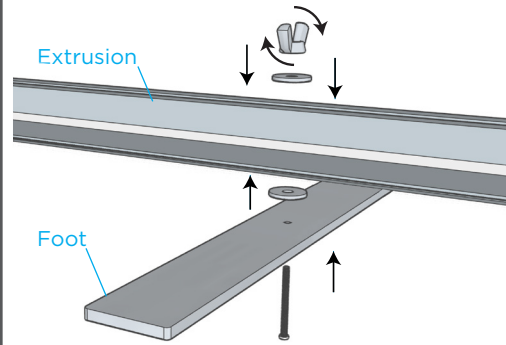
- Free Standing
- Wall Mounted
- Hanging
- LED Lighting

See the other side for display instructions and graphic installation.

Continued →

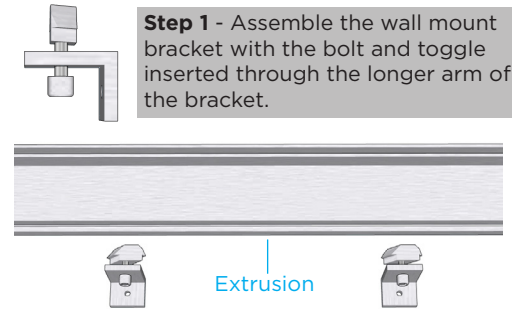
**DISPLAY OPTIONS**

**Free Standing**



Connect the **Feet** to the assembled frame by locating the drill holes on the bottom **Extrusion**. Check all extrusions if you can not immediately locate the drill holes. Feed the hardware through the **Extrusion** drill holes, tighten and attach the foot. Repeat steps for the other foot.

**Wall Mounted**

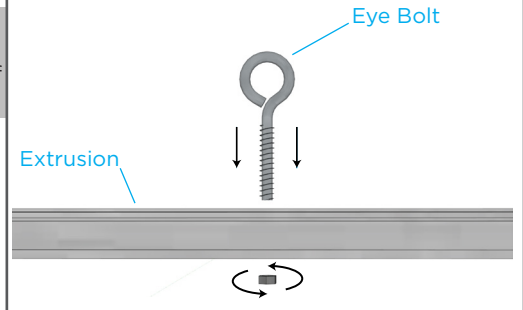


**Step 1** - Assemble the wall mount bracket with the bolt and toggle inserted through the longer arm of the bracket.

**Step 2** - Attach the wall mount brackets to the wall level with each other and 1.5" below the desired location of the top edge of the frame. Use anchors if not screwing into studs.

**Step 3** - With brackets on the wall, place the top bar of the frame onto the brackets so that the toggles go into the channel, and then tighten down the bolt.

**Hanging**



Connect the **Eye Bolt** to the assembled frame by locating the drill holes on the top **Extrusion**. Check all extrusions if you can not immediately locate the drill holes. Feed the **Eye Bolt** through the **Extrusion** drill holes, tighten and attach. Repeat steps for the remaining **Eye Bolts**.

**LED LIGHTING (PARTS)**

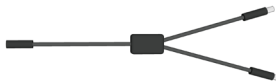
- 1 LED Lights (x12)



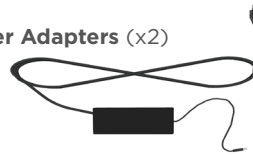
- 2 5ft Extension Cord (x2)



- 3 Y-Splitter (x2)



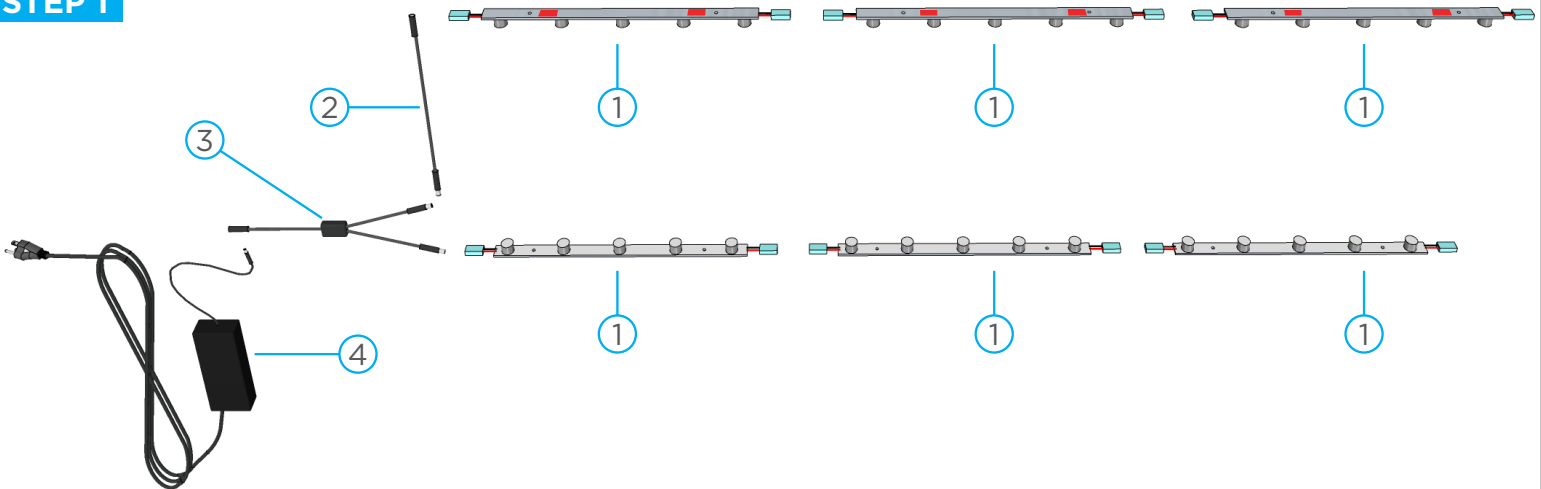
- 4 Power Adapters (x2)



**LED LIGHTING ASSEMBLY**

**WARNING: DO NOT CONNECT MORE THAN 6 LED LIGHTS TO A POWER ADAPTER OR THE ADAPTER WILL BURN OUT**

**STEP 1**



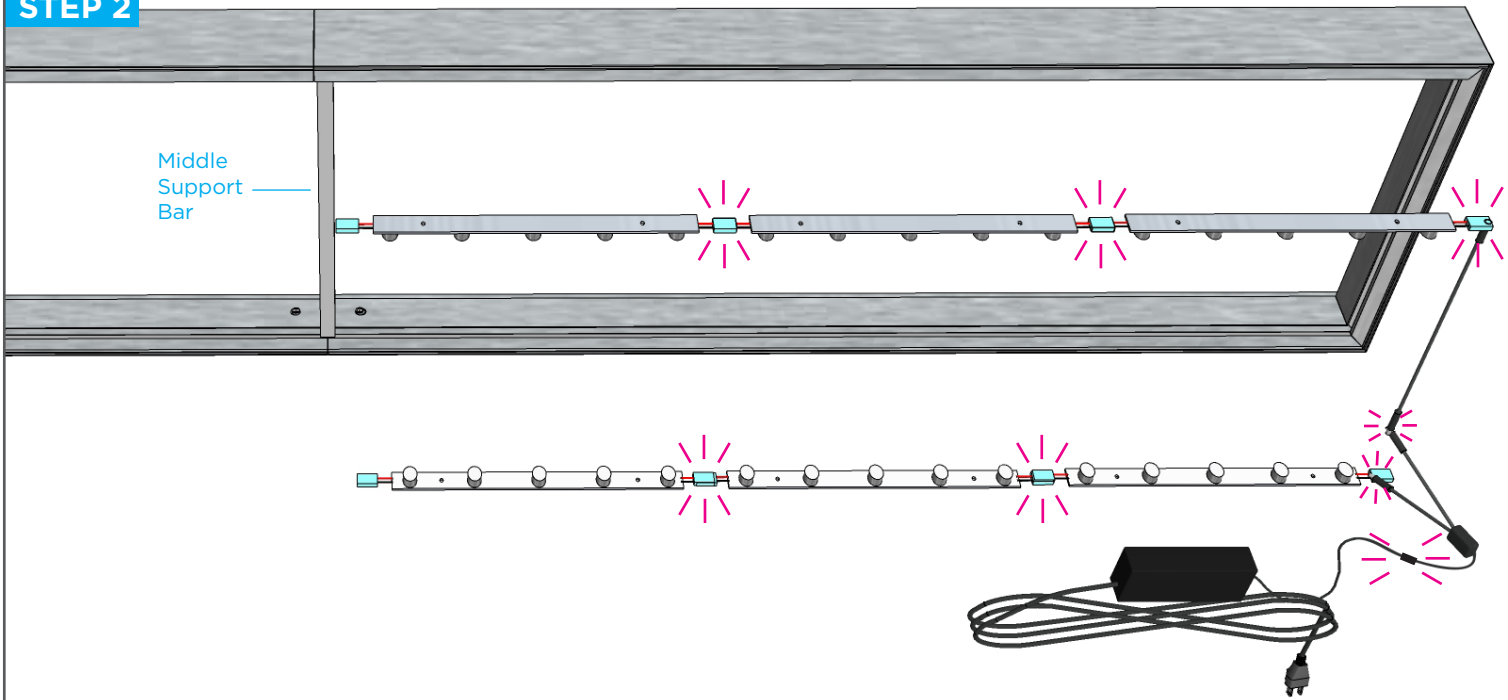
Lay out (x6) **LED Lights**, (x1) **5ft Extension Cable**, (x1) **Y-Splitter** and (x1) **Power Adapter** as illustrated. These components will create the lighting for the left half of the frame. The remaining unused parts will be used later for the right half of the frame.

Continued →



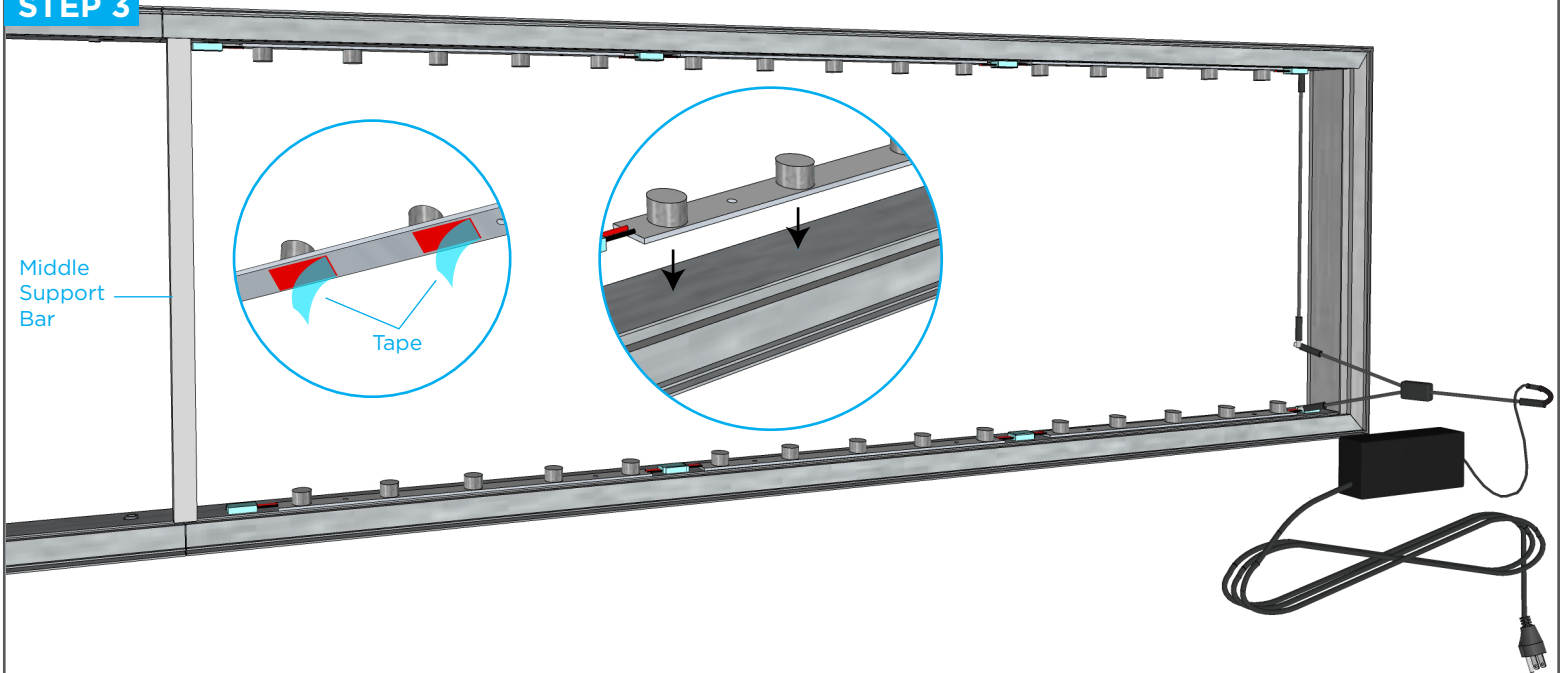
LED LIGHTING ASSEMBLY

STEP 2



**(Viewed From Back Of The Frame)** Begin connecting the (x6) LED Lights, (x1) 5ft Extension Cable, (x1) Y-Splitter and (x1) Power Adapter as illustrated. **Remember, DO NOT plug more than 6 LED Lights into 1 Power Adapter.** Plug in the Power Adapter and test the lighting.

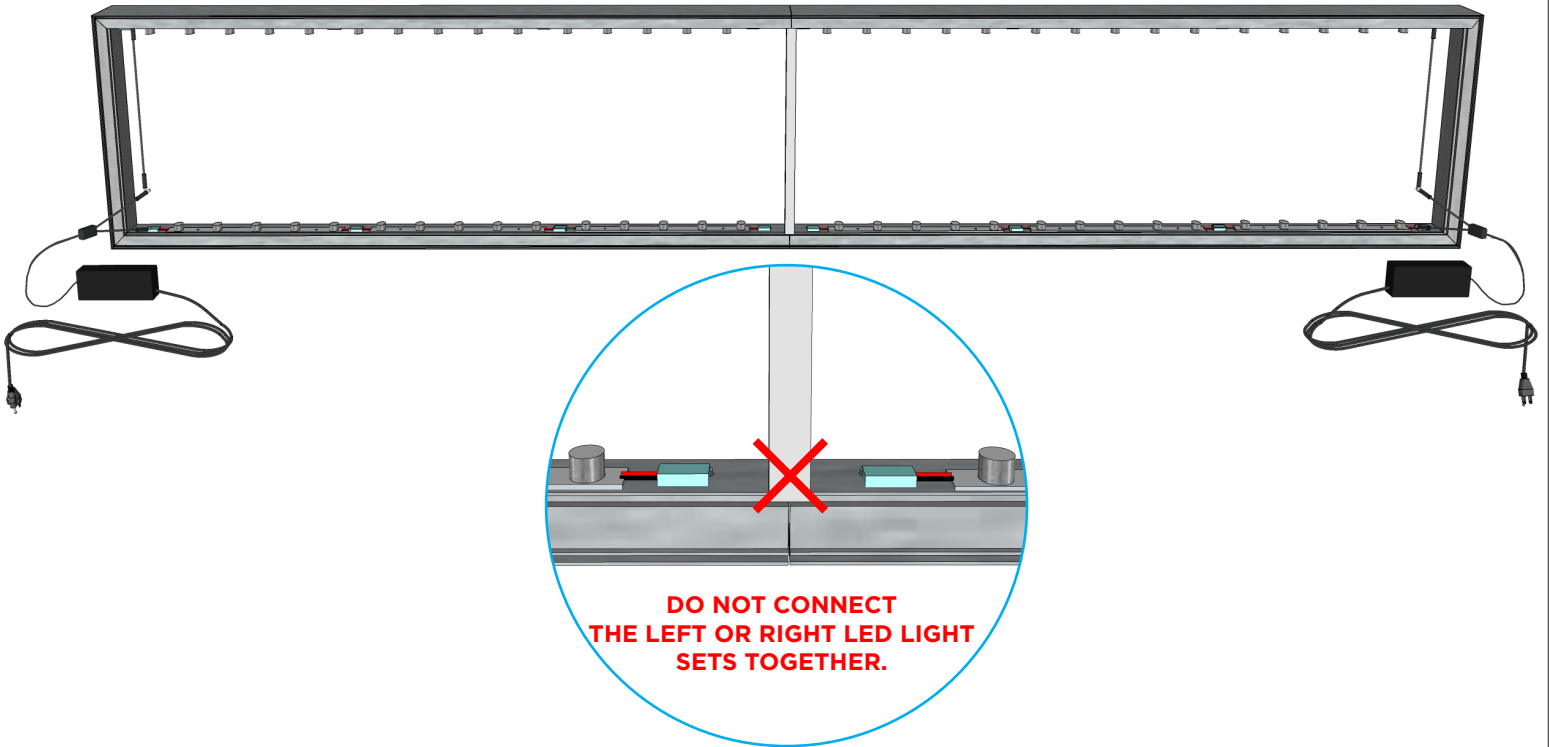
STEP 3



**(Viewed From Back Of The Frame).** On the left half of the frame attach 3 LED Lights to the bottom and 3 LED Lights to the top of the frame using the tape on the bottom of the LED Lights. Use the provided clips to attach the 5ft Extension Cable to the side of the frame. Using the remaining parts, Repeat the LED Light Assembly instructions to complete the lighting installation for the right half of the frame.

Continued →

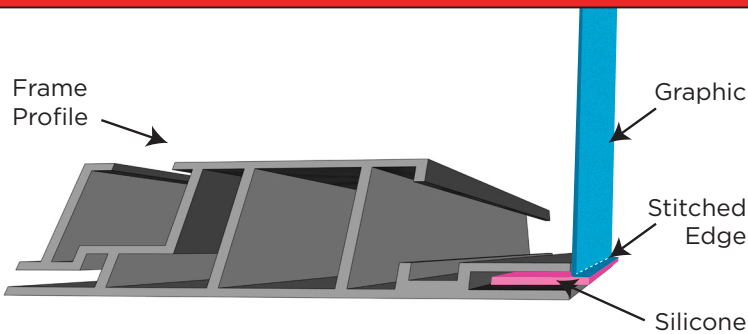
FRAME PARTS



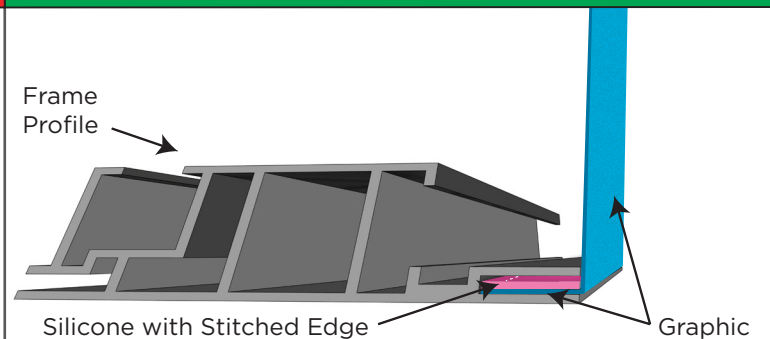
The Installation of the LED Lights is complete. You should have two separate light configurations for the Left and Right halves of the frame as shown in the illustration above. **THE LEFT AND RIGHT SIDE LED LIGHTS SHOULD NOT BE CONNECTED TOGETHER. MORE THAN 6 LEDS TO A POWER ADAPTER WILL BURN IT OUT.**

GRAPHIC INSTALLATION

INCORRECT



CORRECT

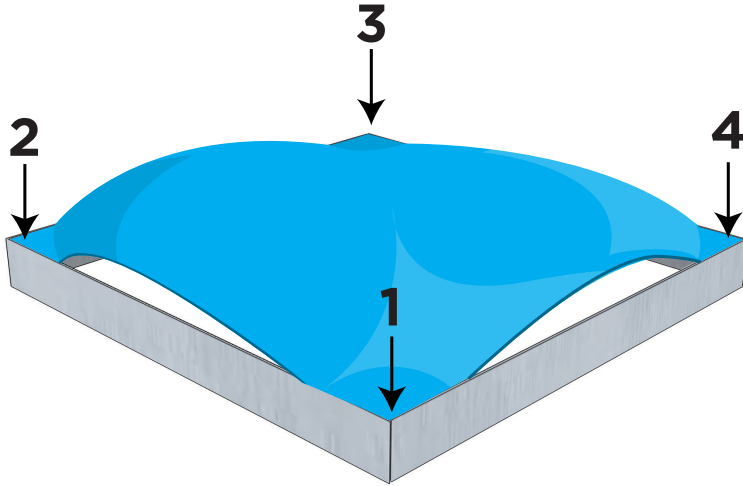


**NOTE:** Locate the silicone edge on the graphic which is sewn on the back perimeter. When installing the graphic be certain to insert the silicone edge correctly. The stitched edge on the silicone should be inserted first. If done correctly the silicone edge will completely fit in the graphic channel and no longer be visible once installation is complete.

Continued →

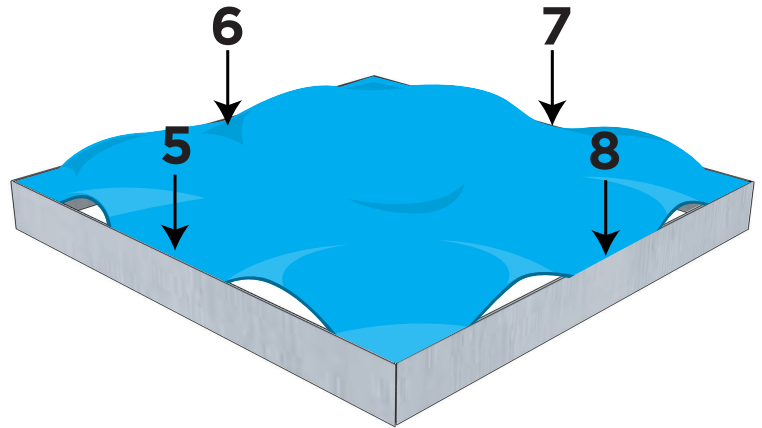
**GRAPHIC INSTALLATION** cont.

**Step 1**



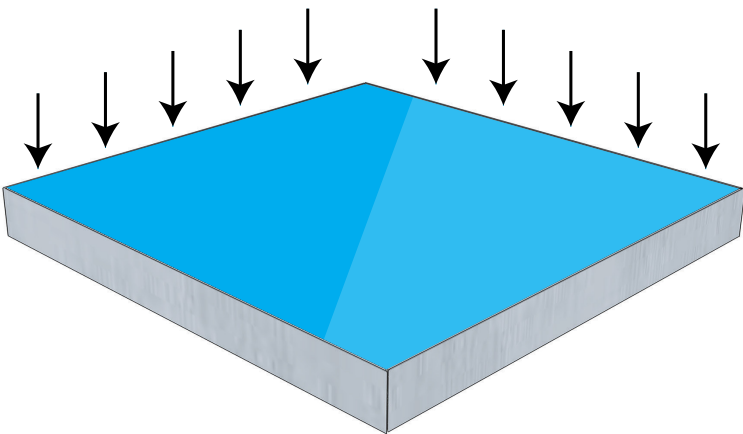
Push the silicone edge into each corner of the frame profile (1-4) with your thumb.

**Step 2**



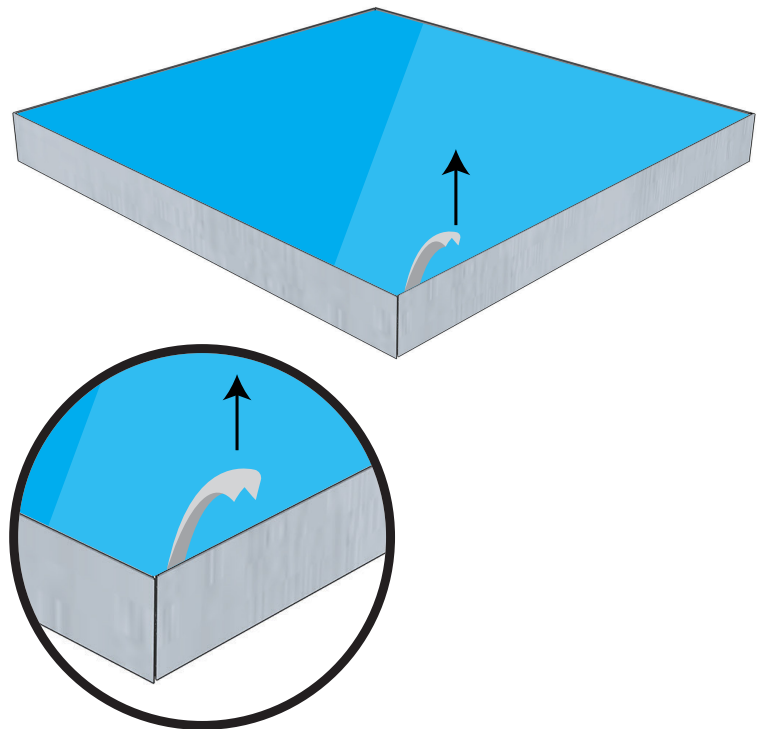
Push the silicone edge into the middle of each frame profile (5-8) and work your way around the perimeter of the frame until the silicone edge of the graphic is pushed in properly.

**Step 3**



If necessary; Go around the perimeter again to ensure the silicone edge is secure and hidden in the frame profile. The graphic should be smooth and taut.

**Graphic Removal**



To remove the graphic pull the tab located on the graphic and gently pull the graphic from the frame, going around the perimeter.