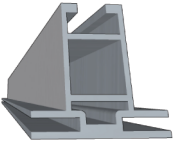


PARTS

① Extrusions (x4)



② L Brackets (X4)



③ Bolts (x8)



④ Legs (x2)



⑤ T-Foot (x2)



⑥ Hex Keys

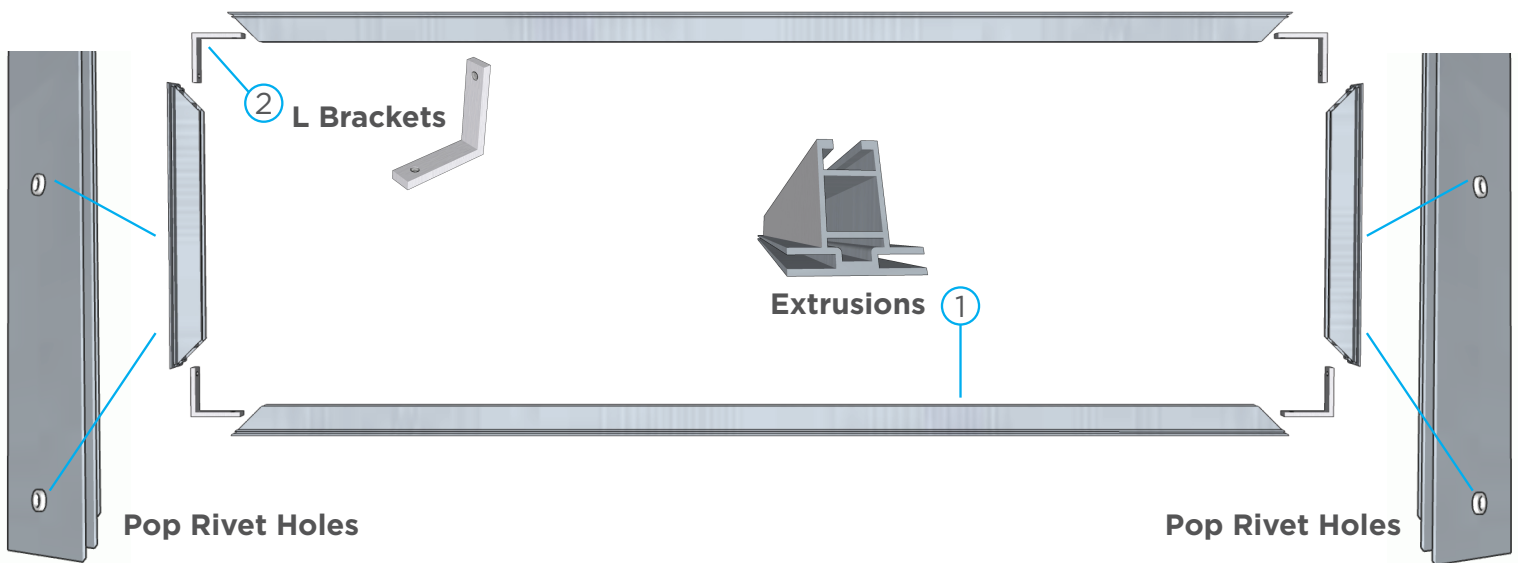


⑦ Decals



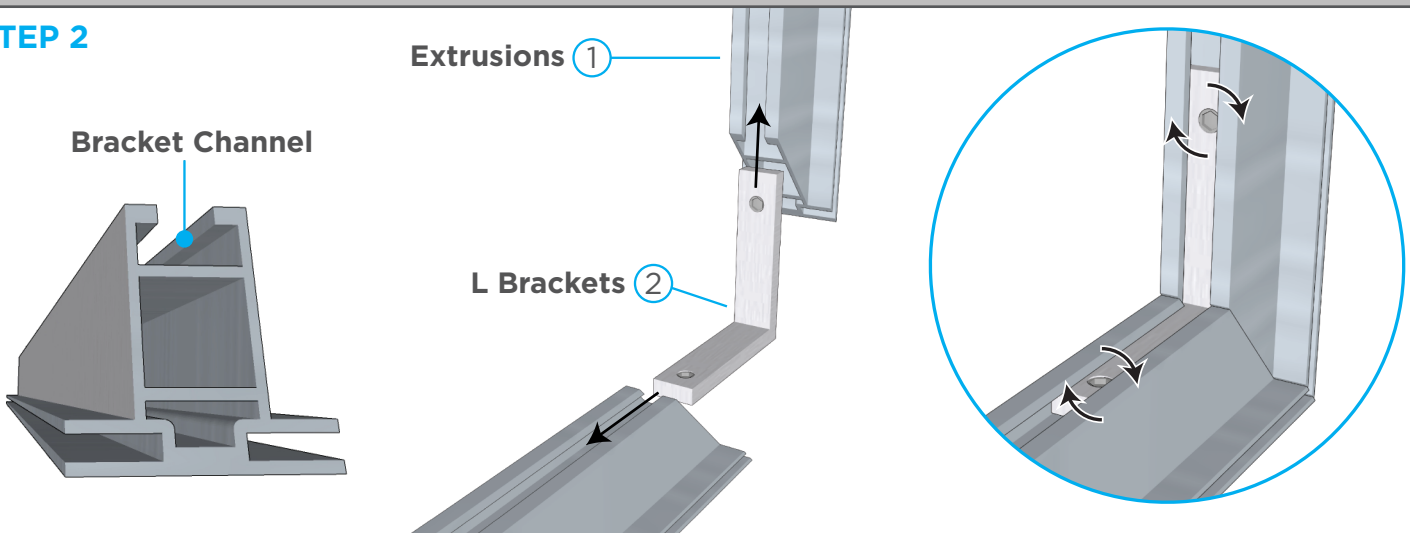
ASSEMBLY INSTRUCTIONS

Step 1



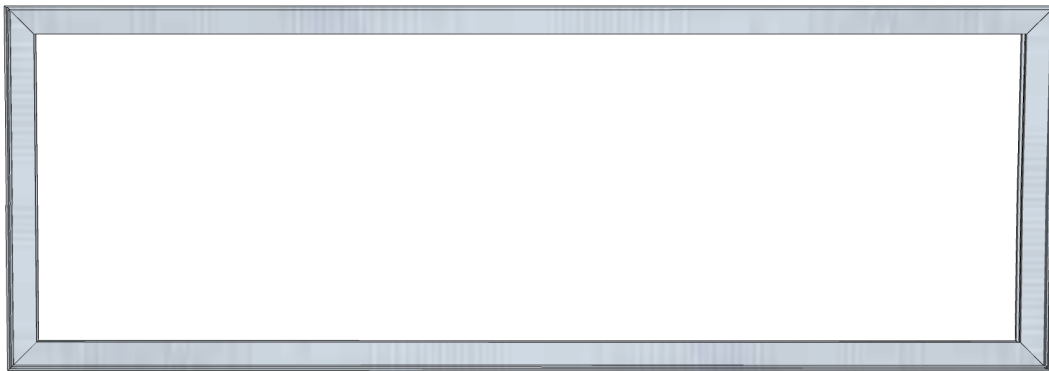
Depending on the size of the frame, form a square or rectangle by laying out the **Extrusions¹** and the **L Brackets²** as illustrated. Two of the extrusions have Pop Rivet Holes on their sides. These are the left and right side of the frame. Make certain they are aligned the same way and that the Pop Rivet Holes match orientation.

STEP 2



Connect all four corners by inserting the **L Brackets²** into the "Bracket Channel" of the **Extrusions¹**. Join the corners together by tightening the screws on the **L Brackets²** with the **3mm Hex Key⁶**.

CONNECTING THE CORNERS

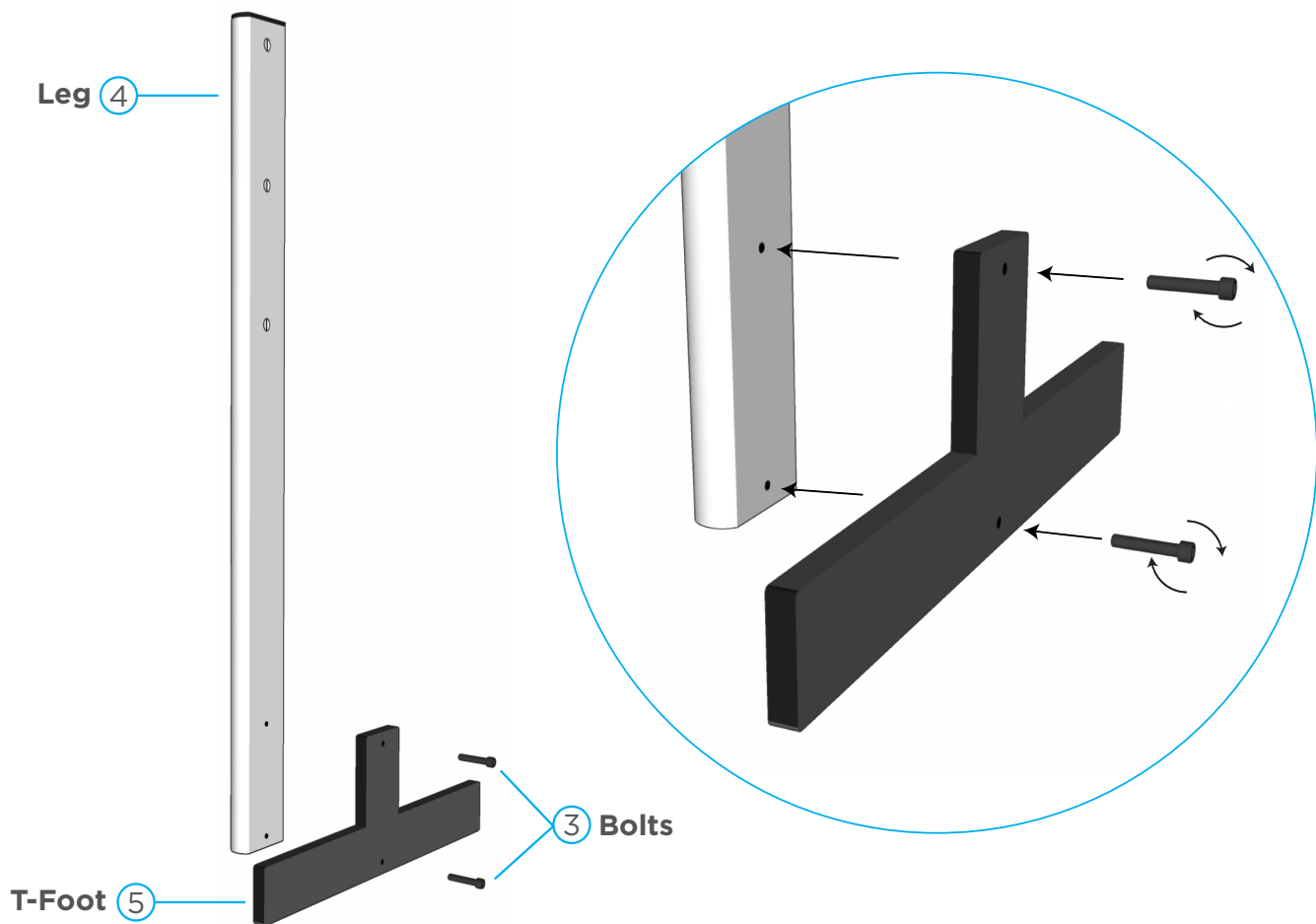


Left Side

Right Side

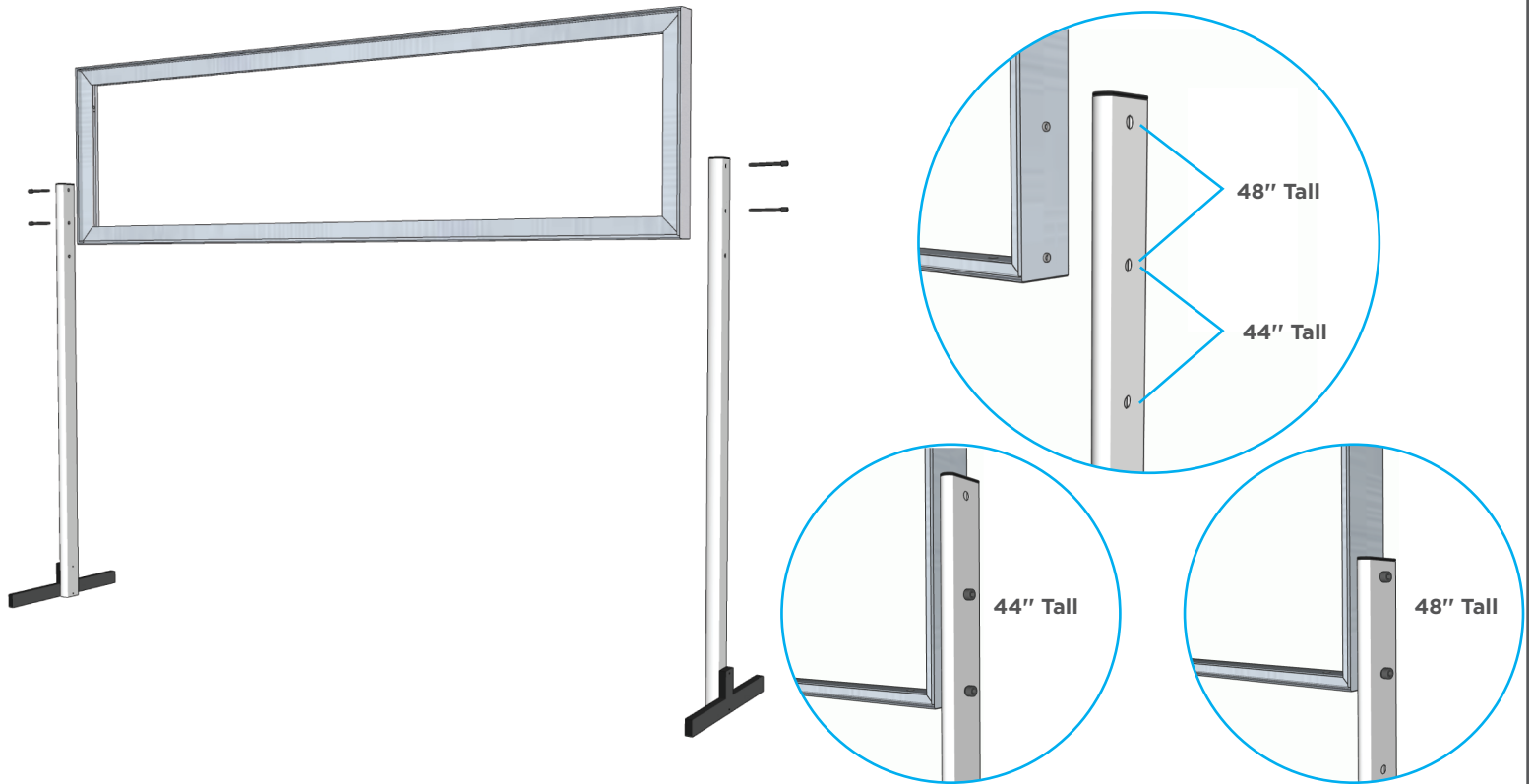
The frame is now fully assembled. The corners should be flush to each other and form a right angle. Adjust the corners if necessary. The left and right side of the frame should have their Pop Rivet Holes in the same orientation.

ASSEMBLING THE LEGS

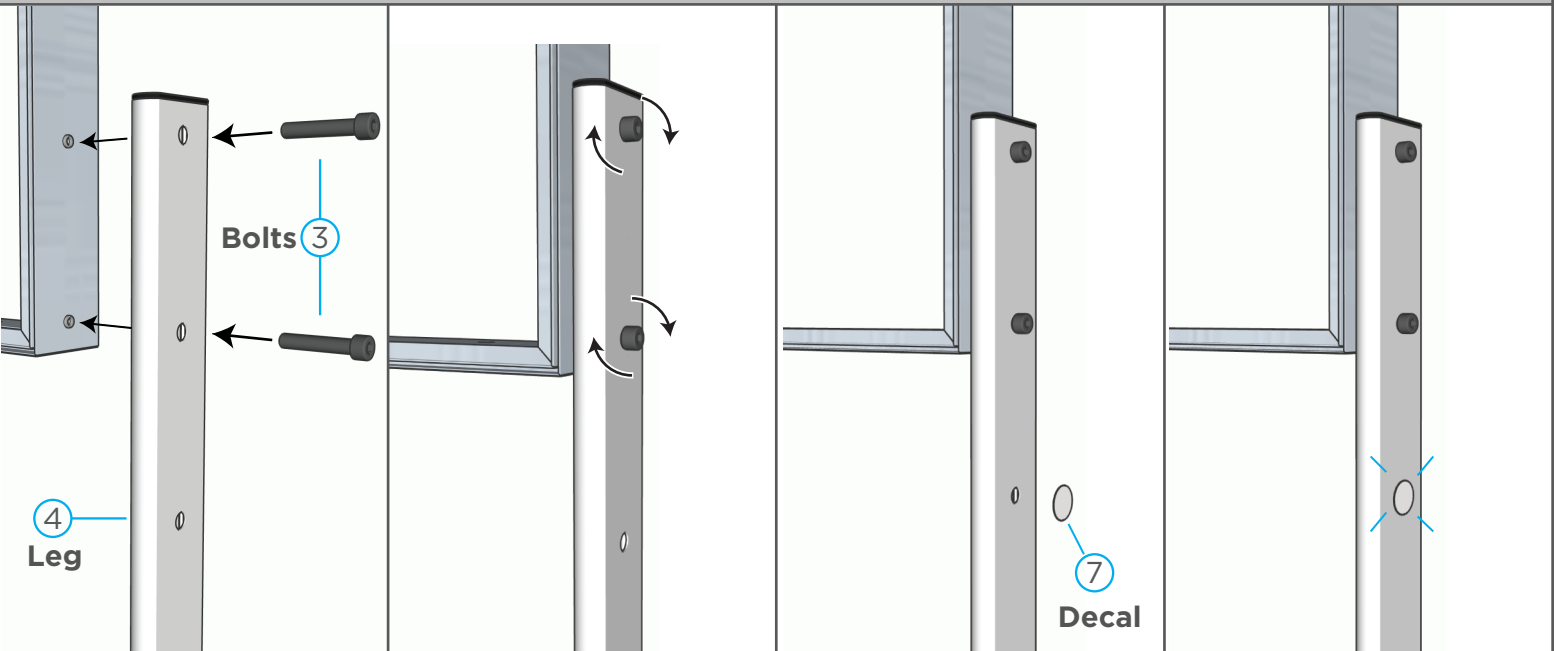


Assemble the legs by taking a **T-Foot⁵** and attaching it to a **Leg⁴** by inserting two of the **Bolts³** through the **T-Foot⁵** and into the two rivnuts on the **Leg⁴**. Use the **4mm Hex Key⁶** and tighten clockwise until secure. Repeat steps for the second leg.

ATTACHING THE LEGS

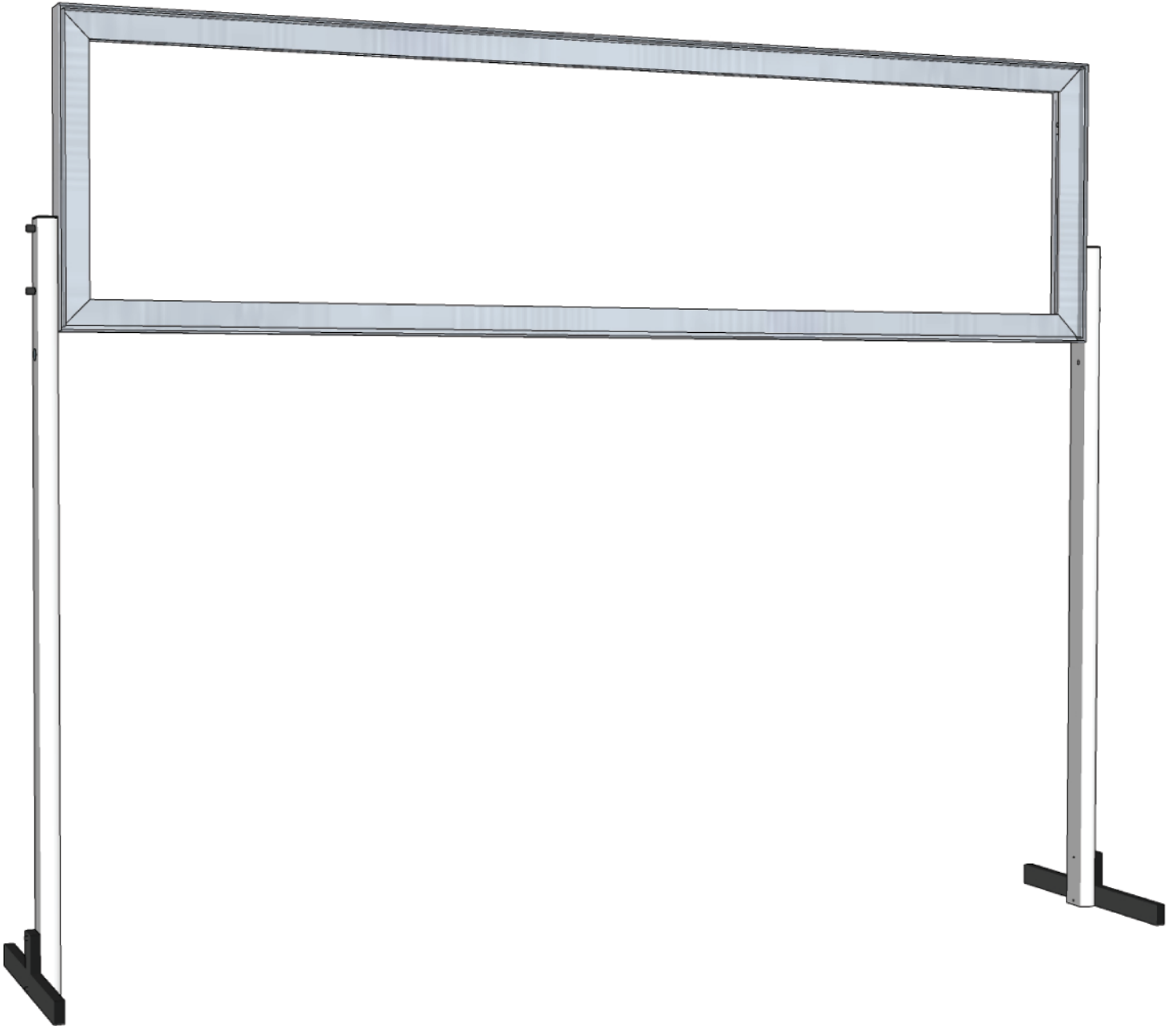


Before you attach the legs to the frame choose a height. This Optium Headboard can be 44 or 48 inches tall. Use the top two holes on the legs to make the frame 48 inches tall, or the bottom two holes to make the frame 44 inches tall. Be certain to face the foot outwards before attaching the legs to the frame.



Attach the **Legs**⁴ to the frame by inserting the **Bolts**³ through the holes of the **Legs**⁴ and screwing them into the Pop Rivet Holes on the frame. Use the **4mm Hex Key**⁶ and tighten the **Bolts**³ until secure. Apply the round **Decals**⁷ to cover up the unused holes on the legs.

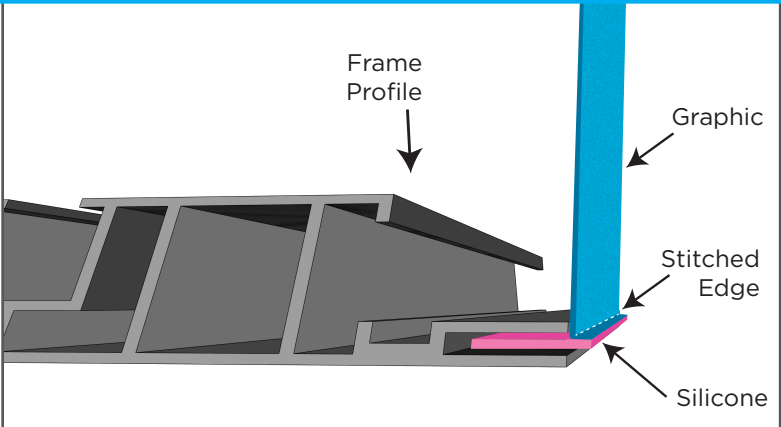
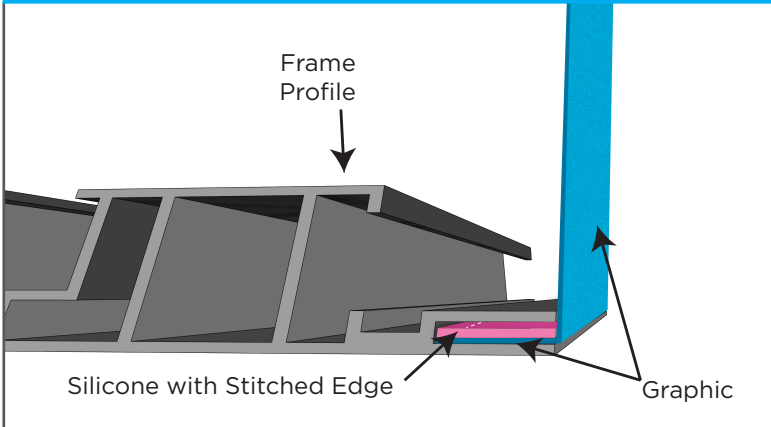
FRAME ASSEMBLED



Once the legs are attached to the frame you can prop it up for display. You may begin installing the graphic inserts for both sides of the Optium Headboard

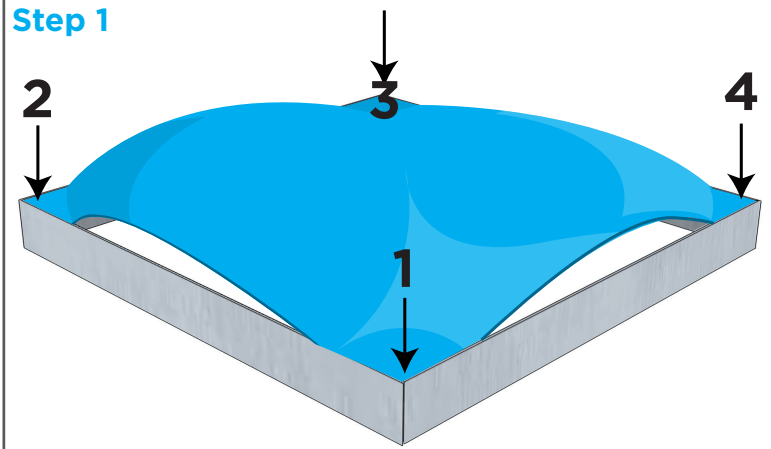
Graphic Installation 

GRAPHIC INSTALLATION

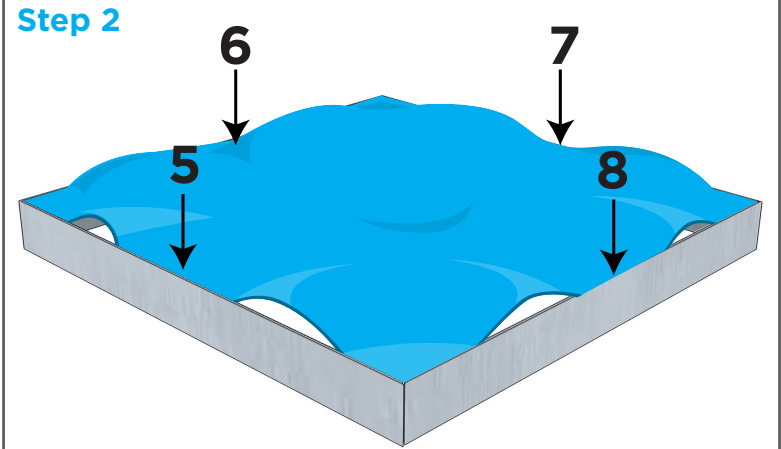


CORRECT Stitched edge inserted first, graphic is taut, no stitching or silicone keder is visible

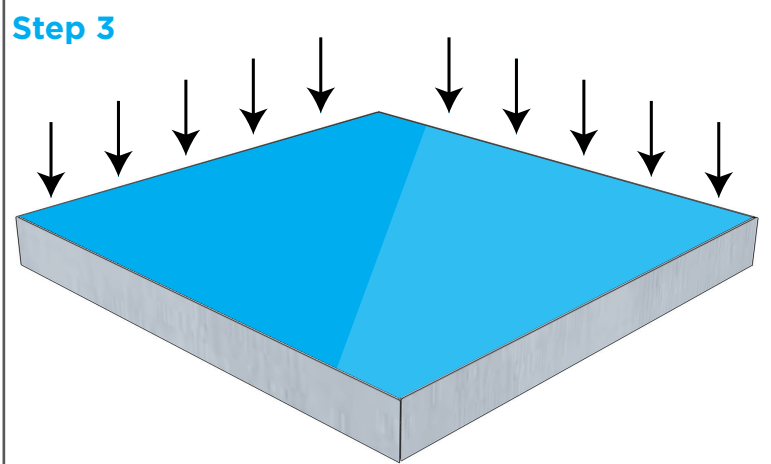
INCORRECT Silicone keder inserted first, the stitching and silicone edge is visible, graphic is loose



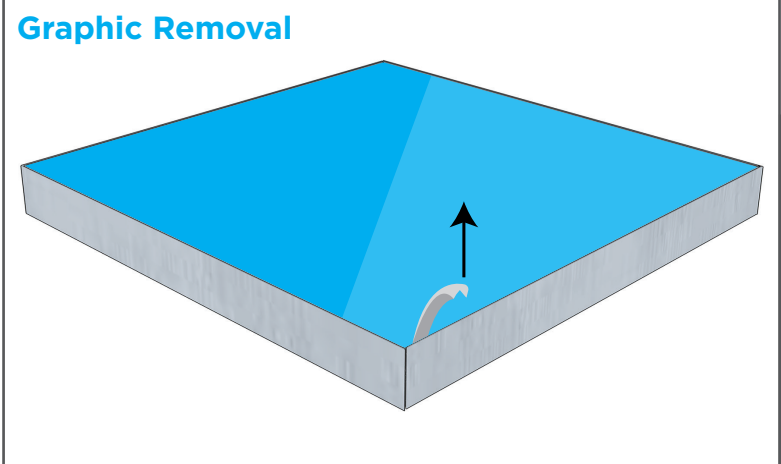
Push the silicone edge into each corner of the frame profile (1-4) with your thumb.



Push the silicone edge into the middle of each frame profile (5-8) and work your way around the perimeter of the frame until the silicone edge of the graphic is pushed in properly.

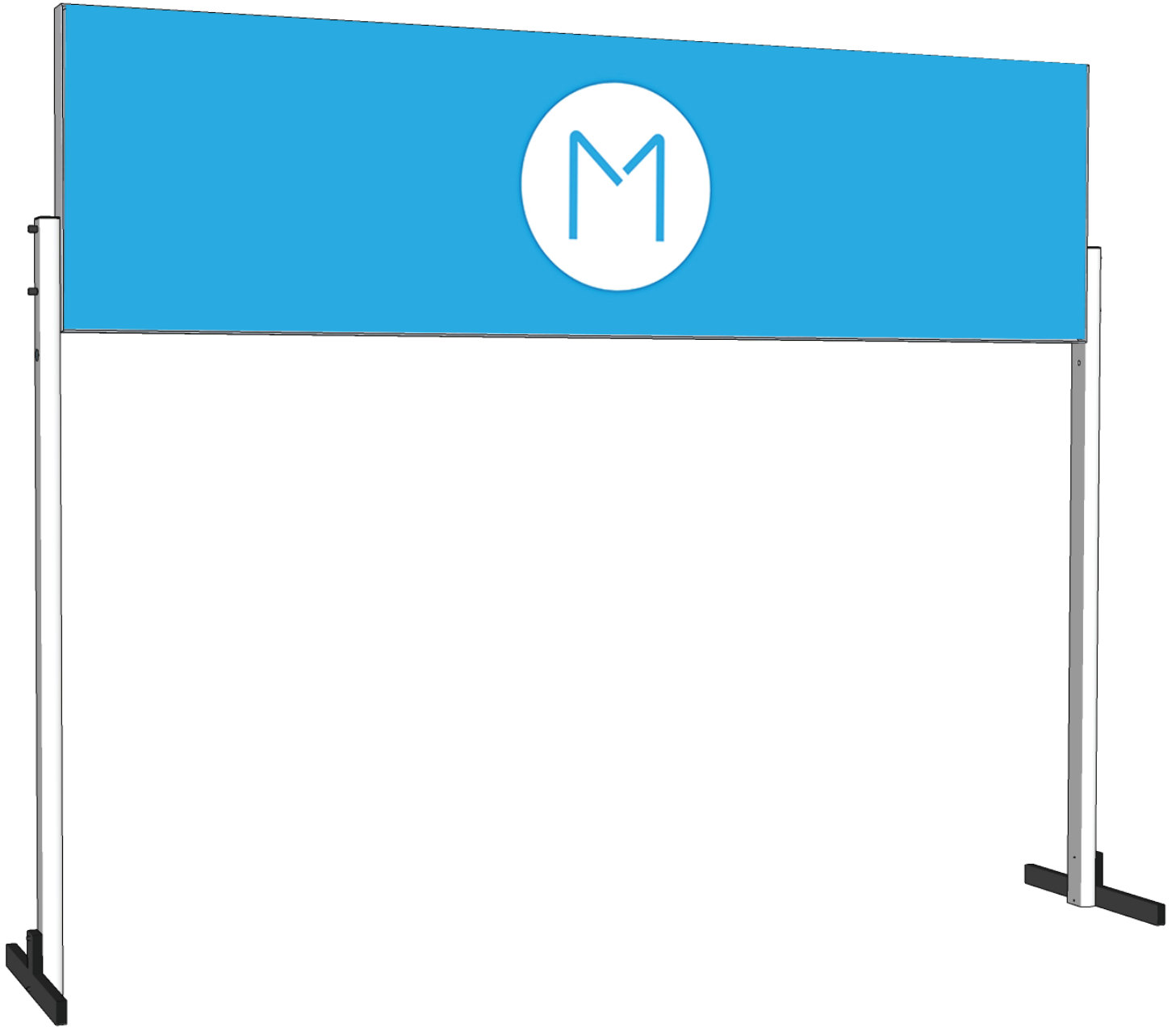


If necessary; Go around the perimeter again to ensure the silicone edge is secure and hidden in the frame profile. The graphic should be smooth and taut.



To remove the graphic pull the tab located on the graphic and gently pull the graphic from the frame, going around the perimeter.

ASSEMBLY COMPLETED



The Standing Optium Headboard is complete.