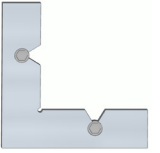


FRAME PARTS

① Extrusions

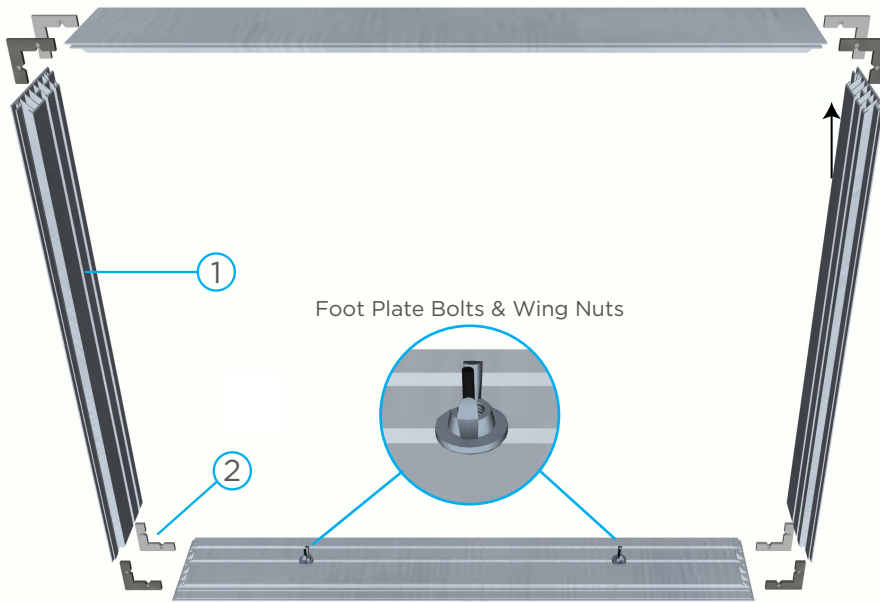


② L Brackets



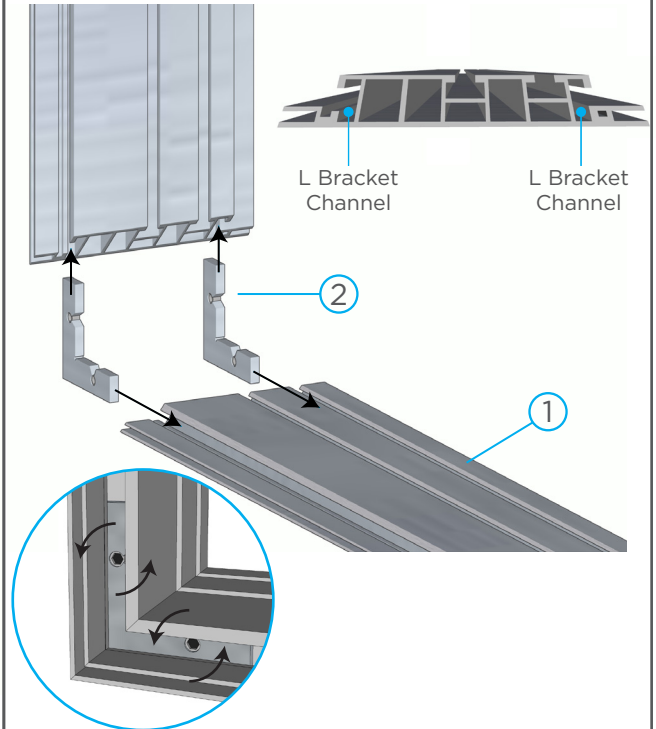
FRAME ASSEMBLY INSTRUCTIONS

STEP 1



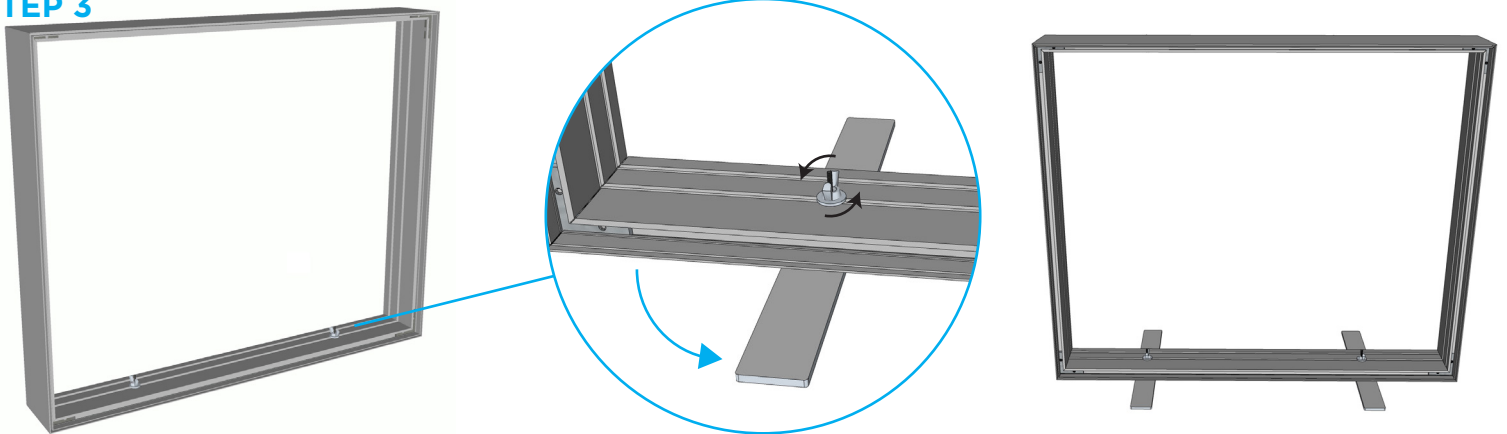
Depending on the size of the frame, form a square or rectangle by laying out the **Extrusions**<sup>1</sup> and the **L Brackets**<sup>2</sup> as illustrated. Make sure the **Extrusion**<sup>1</sup> with the foot plate bolt & wing nuts are on the bottom.

STEP 2



Connect all four corners by inserting the **L Brackets**<sup>2</sup> into the L Bracket Channels of the **Extrusions**<sup>1</sup>. Join the corners together by tightening the screws on the **L Brackets**<sup>2</sup> to form a tight 90 degree corner.

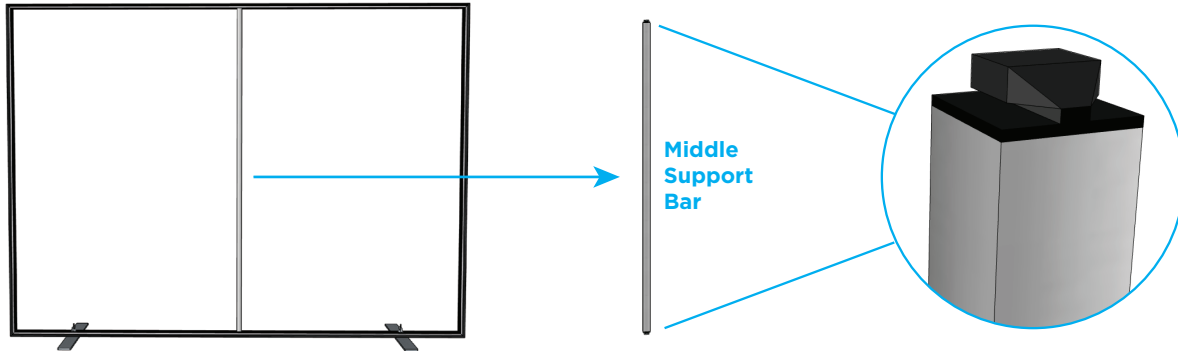
STEP 3



The frame is now fully assembled. The corners should be flush to each other and form a right angle. Adjust the corners if necessary. Next, turn the foot plates on the bottom of the frame outward, 90 degrees, and tighten the foot plate wing nuts. Now you can stand the frame upright.

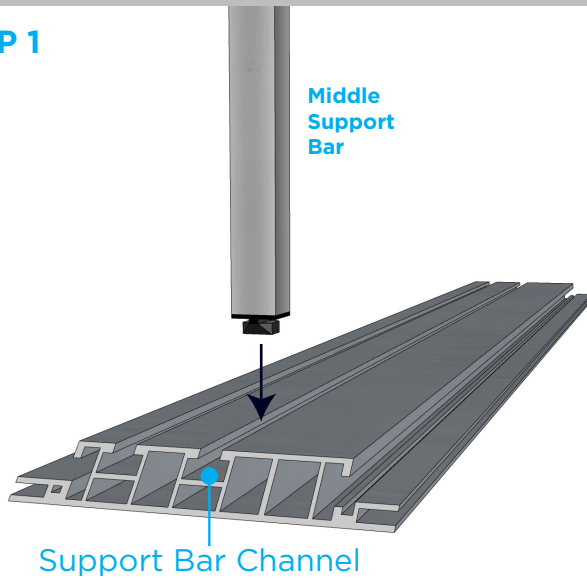
Continued →

MIDDLE SUPPORT BAR INSTALLATION

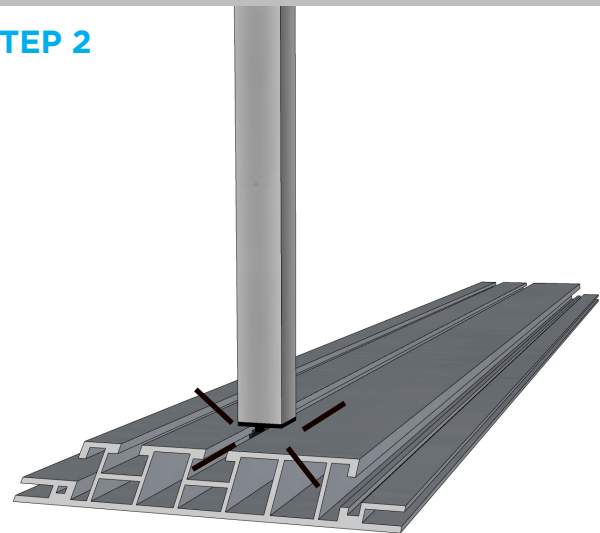


Long Optium Frames come with a **Middle Support Bar** to keep the frame from sagging in the middle. If your Optium Frame came with a **Middle Support Bar** follow the steps below for installation instructions.

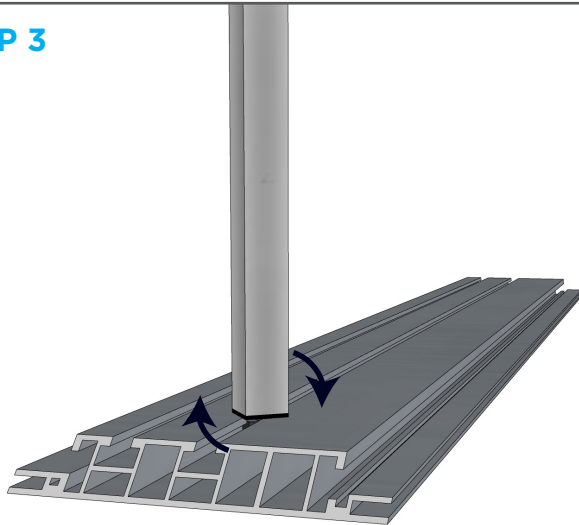
STEP 1



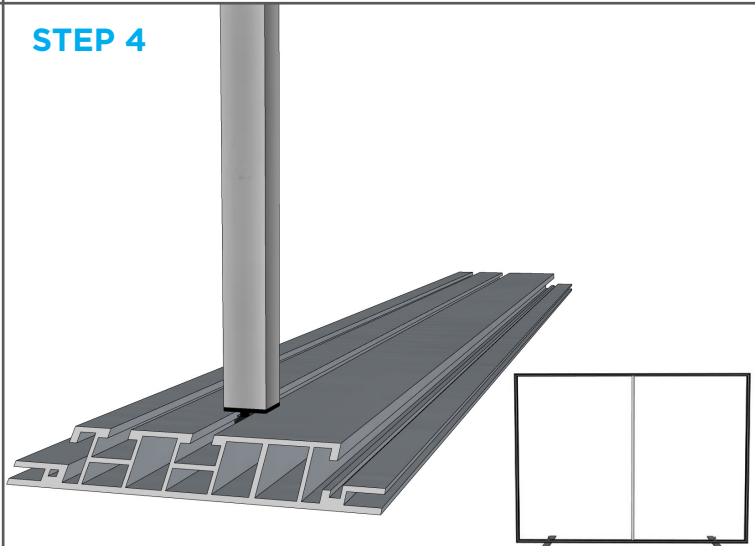
STEP 2



STEP 3



STEP 4



Make certain to vertically install the **Middle Support bar** into the center of the frame. Push the tips of the **Middle Support Bar** into the **Support Bar Channel**, then twist the **Middle Support Bar** 90 degrees until it is fastened to the frame. Installation of the **Middle Support Bar** is complete.

Continued →

LED PARTS

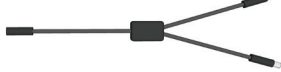
① LED Lights (x6)



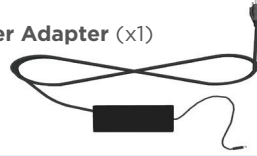
② Extension Cord (x1)



③ Y-Splitter (x1)



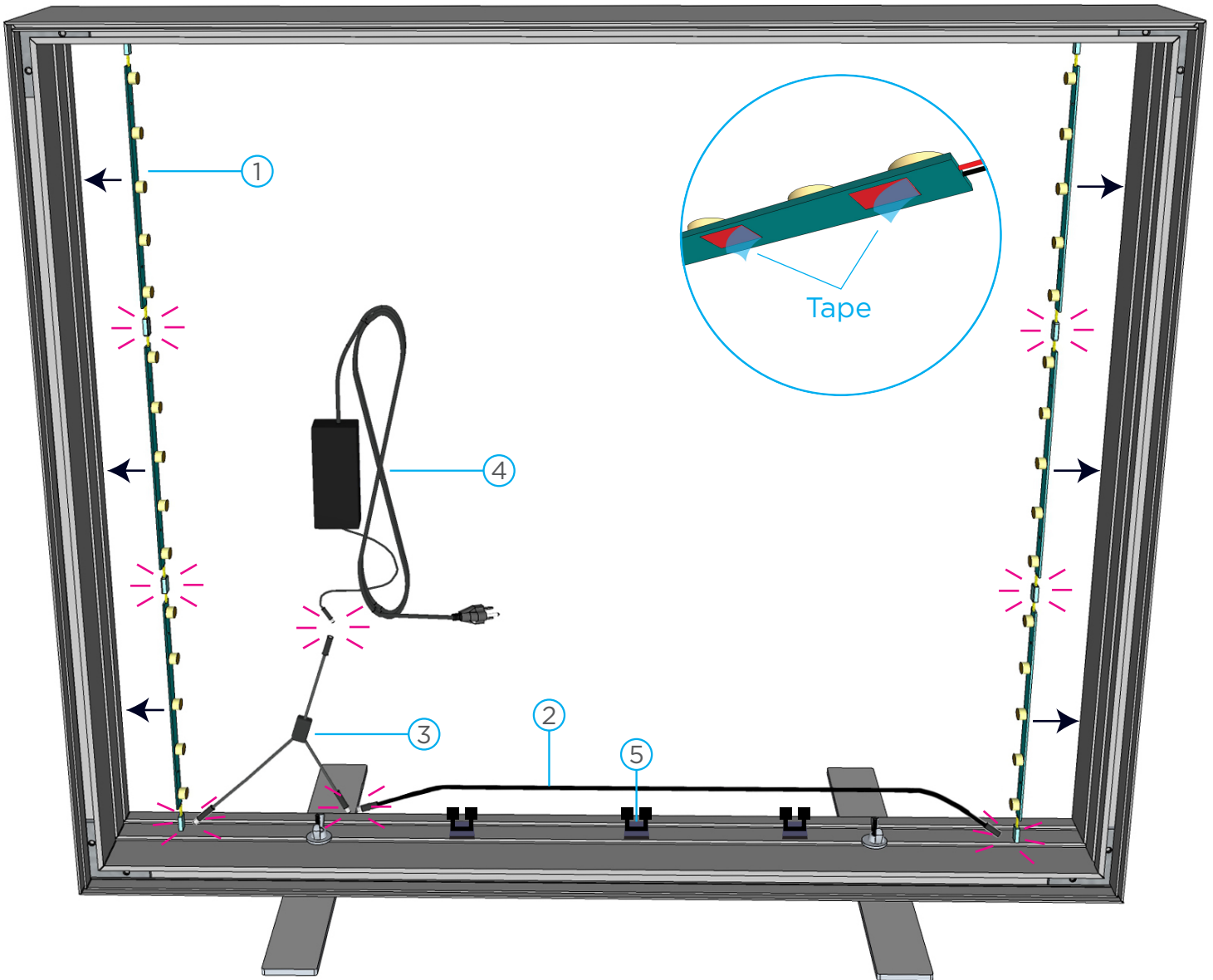
④ Power Adapter (x1)



⑤ Cable Clips (x3)



LED LIGHT INSTALLATION

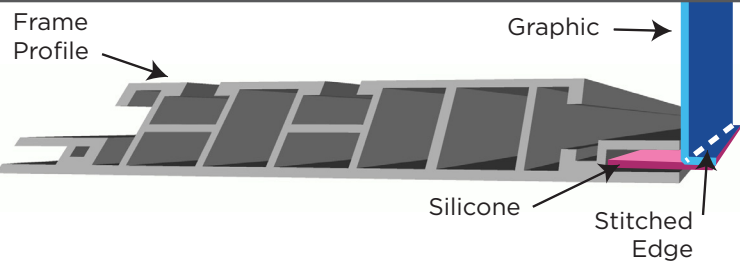


Using the tape on the bottom of the **LED Lights**<sup>1</sup>, evenly distribute and attach the **LED Lights**<sup>1</sup> on center, to the sides of the frame. Begin connecting the **LED Lights**<sup>1</sup>, **Extension Cable**<sup>2</sup>, **Y-Splitter**<sup>3</sup> and **Power Adapter**<sup>4</sup> as illustrated. Use the **Cable Clips**<sup>5</sup> to attach the **Extension Cable**<sup>2</sup> to the frame. The installation of the LED Lights is complete. Plug in the **Power Adapter**<sup>4</sup> to an outlet and test.

Continued →

**GRAPHIC INSTALLATION**

**INCORRECT**

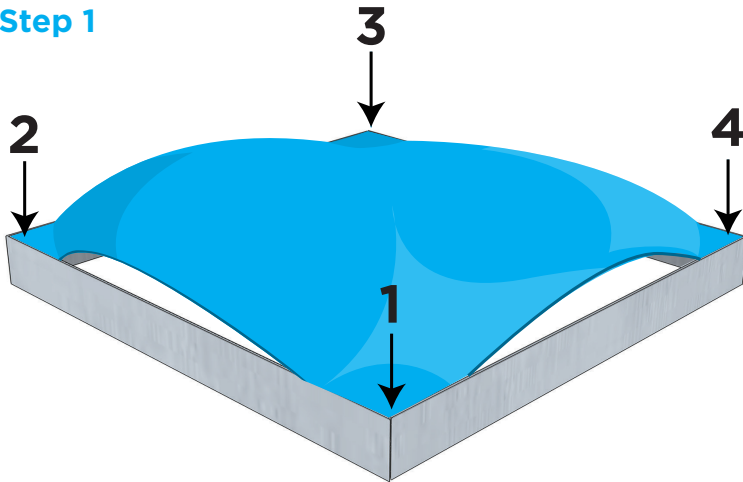


**CORRECT**



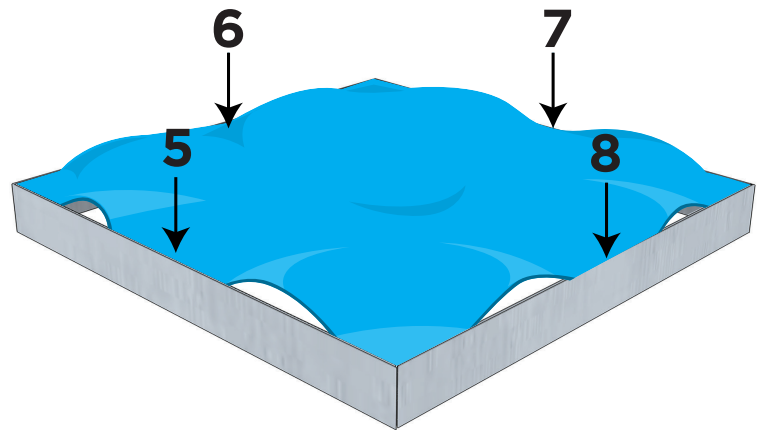
**NOTE:** Locate the silicone edge on the graphic which is sewn on the back perimeter. When installing the graphic be certain to insert the silicone edge correctly. The stitched edge on the silicone should be inserted first. If done correctly the silicone edge will completely fit in the graphic channel and no longer be visible once installation is complete.

**Step 1**



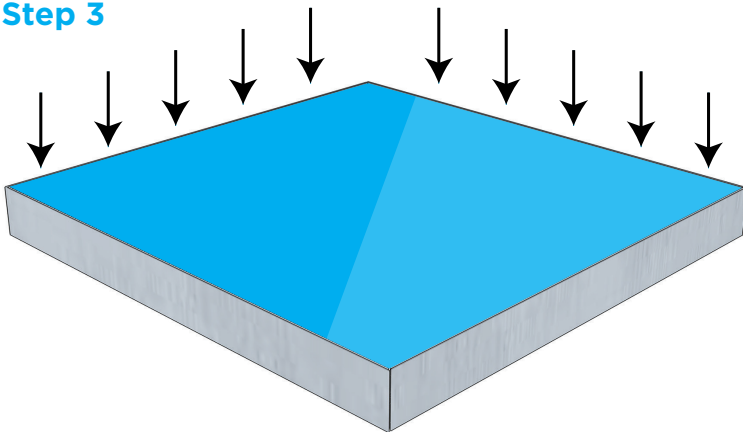
Push the silicone edge into each corner of the frame profile (1-4) with your thumb.

**Step 2**



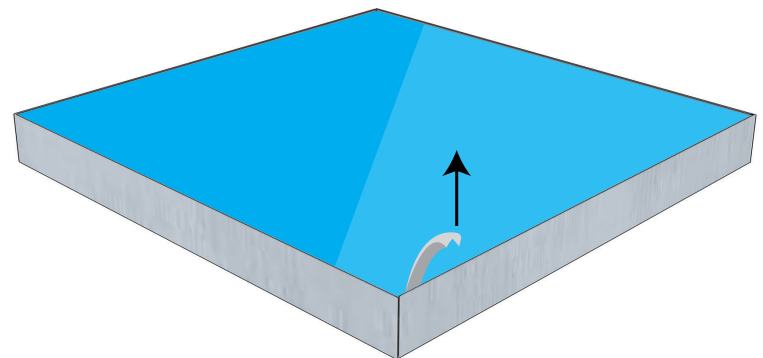
Push the silicone edge into the middle of each frame profile (5-8) and work your way around the perimeter of the frame until the silicone edge of the graphic is pushed in properly.

**Step 3**



If necessary; Go around the perimeter again to ensure the silicone edge is secure and hidden in the frame profile. The graphic should be smooth and taut.

**Graphic Removal**



To remove the graphic pull the tab located on the graphic and gently pull the graphic from the frame, going around the perimeter.