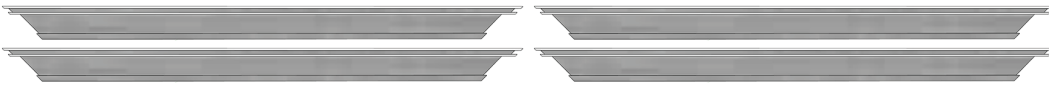


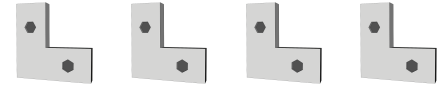
Read Every Page Of The Instructions Before Assembling

FRAME PARTS

① Extrusions

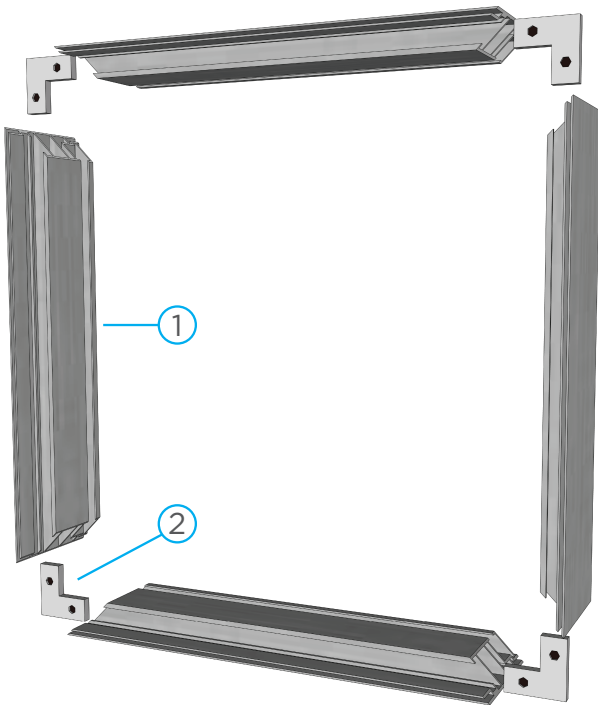


② L Brackets



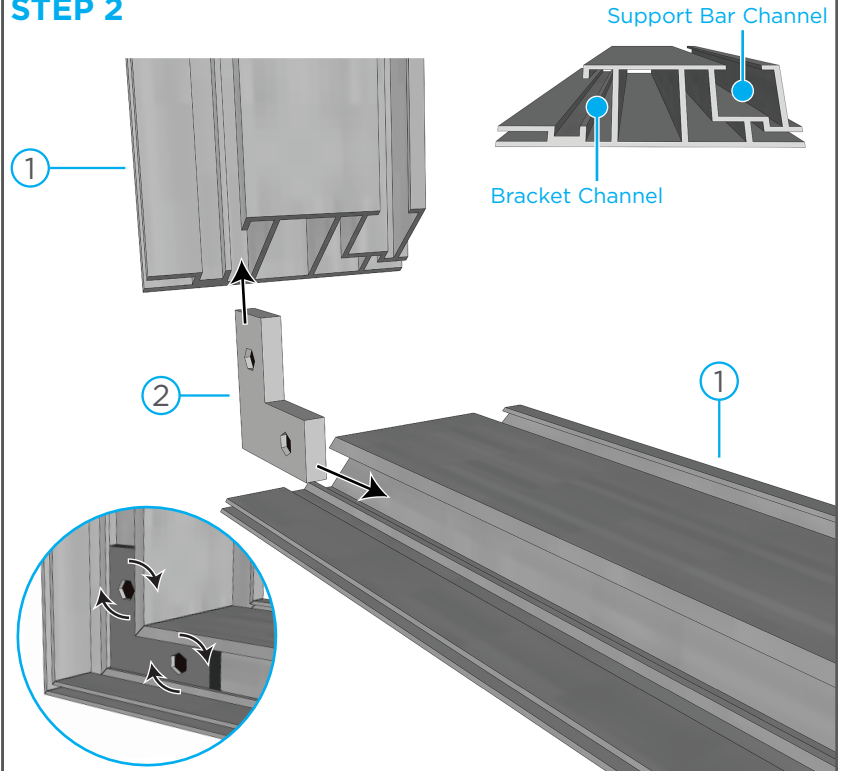
ASSEMBLY INSTRUCTIONS

STEP 1



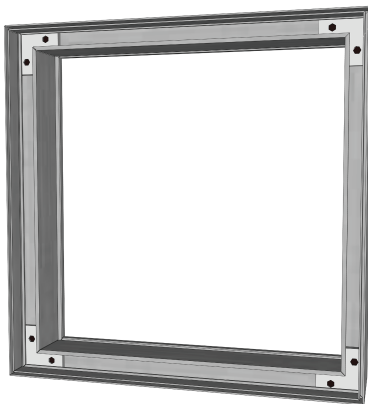
Depending on the size of the frame, form a square or rectangle by laying out the **Extrusions**¹ and the **L Brackets**² as illustrated.

STEP 2



Connect all four corners by inserting the **L Brackets**² into the "Bracket Channel" of the **Extrusions**¹. Join the corners together by tightening the screws on the **L Brackets**².

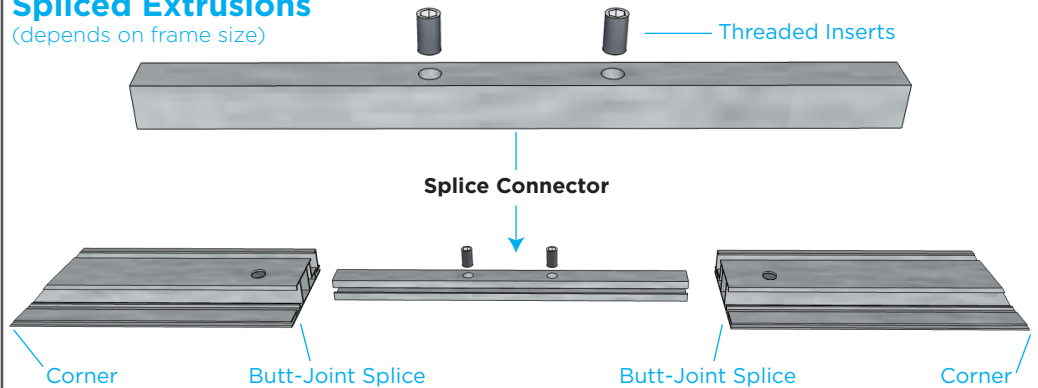
STEP 3



The frame is now fully assembled. The corners should be flush to each other and form a right angle. Adjust the corners if necessary.

Spliced Extrusions

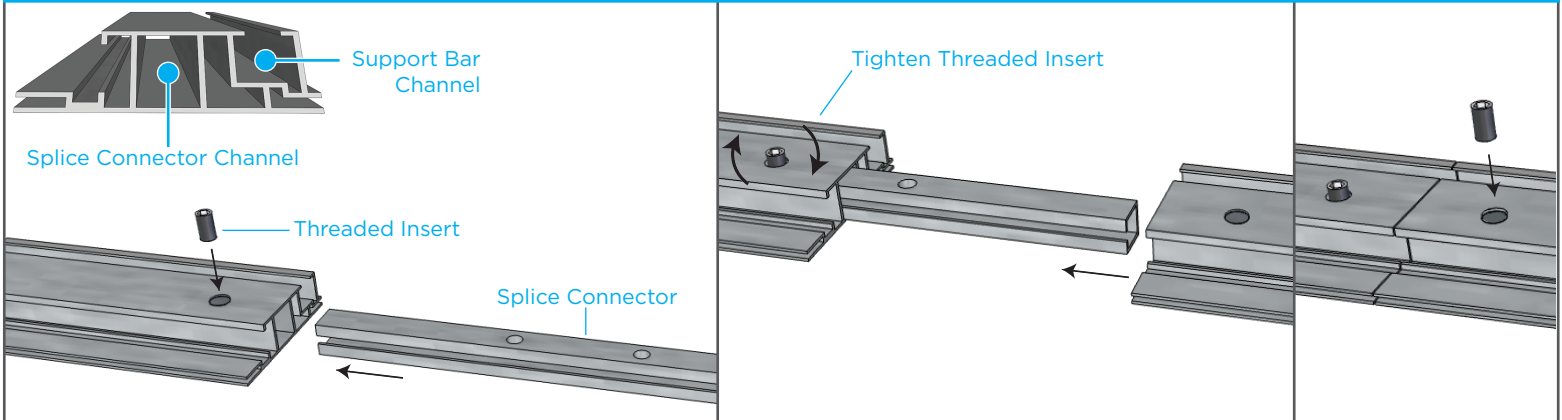
(depends on frame size)



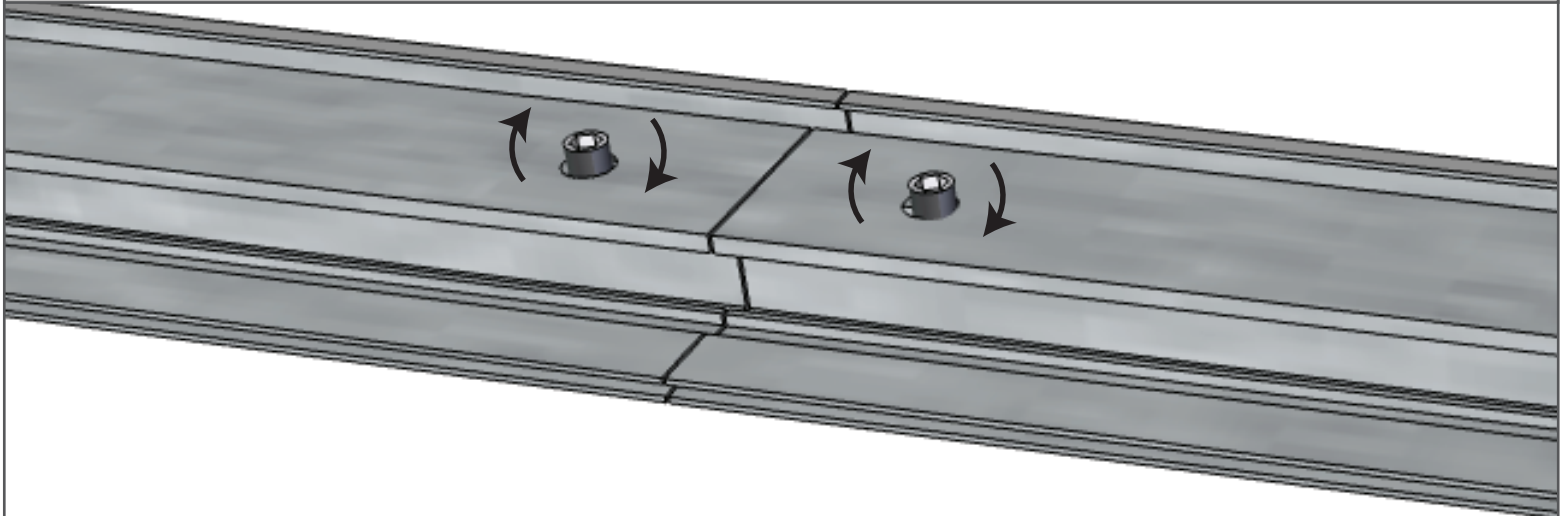
Large, oversized frames may have the extrusions cut in half for shipping purposes. Under this circumstance you will have to use a **Splice Connector** to join the butt-joint, splice ends of the extrusions before you start steps 1 and 2.

Continued →

Spliced Extrusion Assembly

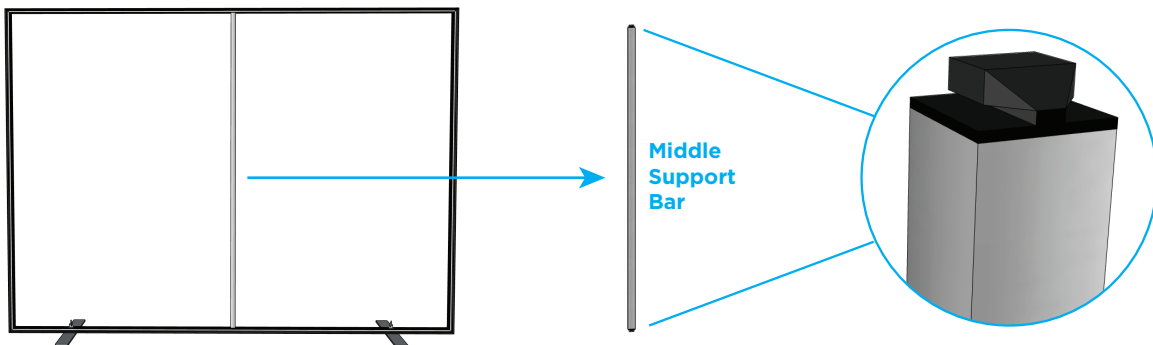


Insert the **Splice Connector** into the middle channel of the spliced extrusions. Make certain the thread holes on the **Splice Connector** are facing the same direction as the hole located at the top of the butt-joint splice. Feed a **Threaded Insert** into the **Splice Connector** and tighten to lock into place. Insert the other end of the **Splice Connector** into the other spliced extrusion until both ends meet. Feed and tighten another **Threaded Insert** into the second insert hole of the other extrusion.



Tighten the **Threaded Inserts** on the **Splice Connector** until the ends of the extrusions are flush to each other and form a solid connection. The spliced extrusion is now fully assembled. Continue to the other spliced extrusions until the spliced ends are connected. **Then go to Steps 1 and 2 to begin frame assembly.**

Middle Support Bar

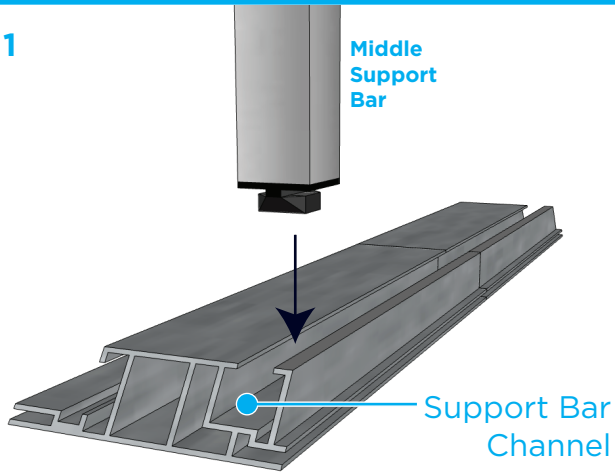


If your frame had their extrusions cut in half and you connected them using a splice connector; you will have to install a **Middle Support Bar** to keep the frame from sagging in the middle. The **Middle Support Bar** is only available if your extrusions were spliced in half.

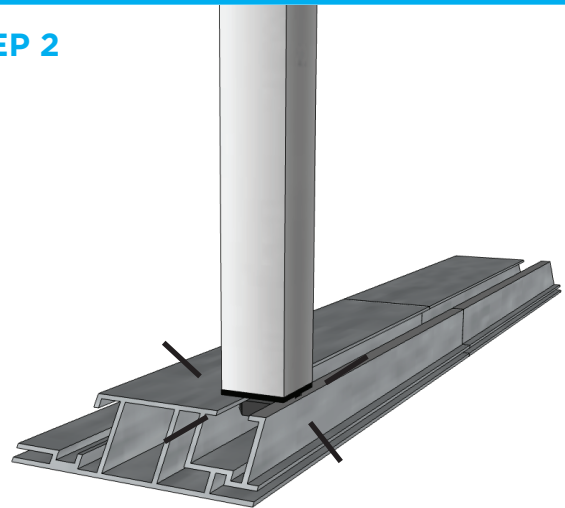
Continued →

Middle Support Bar Installation

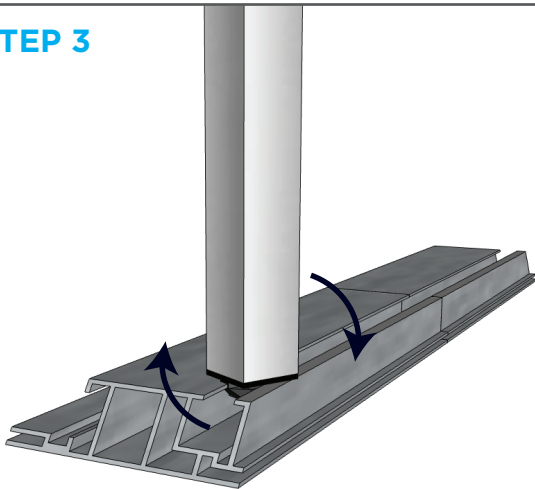
STEP 1



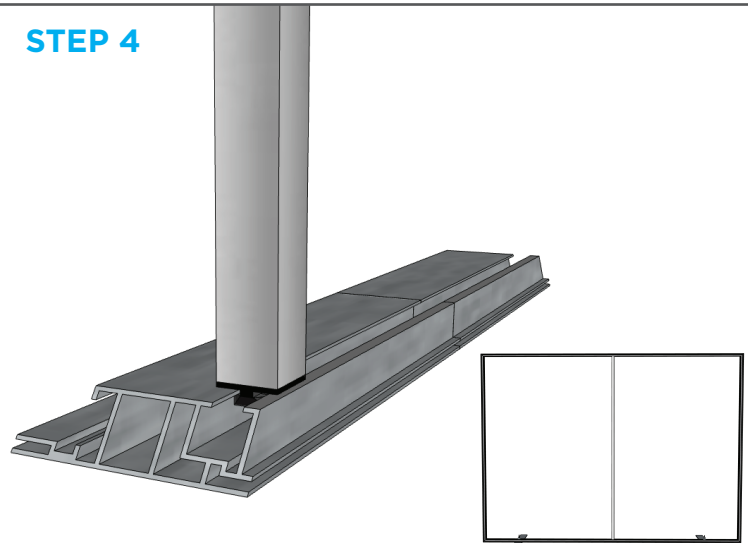
STEP 2



STEP 3



STEP 4



Make certain to vertically install the **Middle Support bar** into the center of the frame. Push the tips of the **Middle Support Bar** into the **Support Bar Channel**; then twist the **Middle Support Bar** 45 degrees until it is fastened to the frame. Installation of the **Middle Support Bar** is complete.

Display Options

Depending on which product you have, there are four ways to display an Optium Frame:

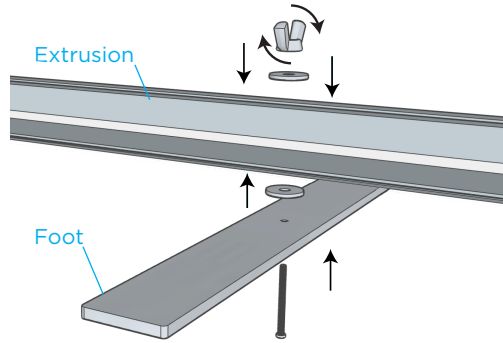
- Free Standing
- Wall Mounted
- Hanging
- LED Lighting

See the other side for display instructions and graphic installation.

Continued →

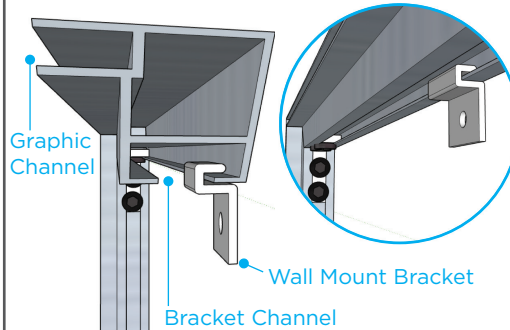
DISPLAY OPTIONS

Free Standing



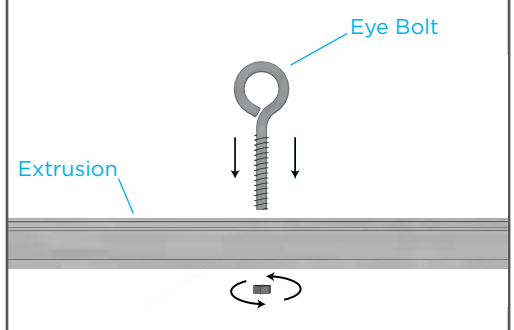
Connect the **Feet** to the assembled frame by locating the drill holes on the bottom **Extrusion**. Check all extrusions if you can not immediately locate the drill holes. Feed the hardware through the **Extrusion** drill holes, tighten and attach the foot. Repeat steps for the other foot.

Wall Mounted



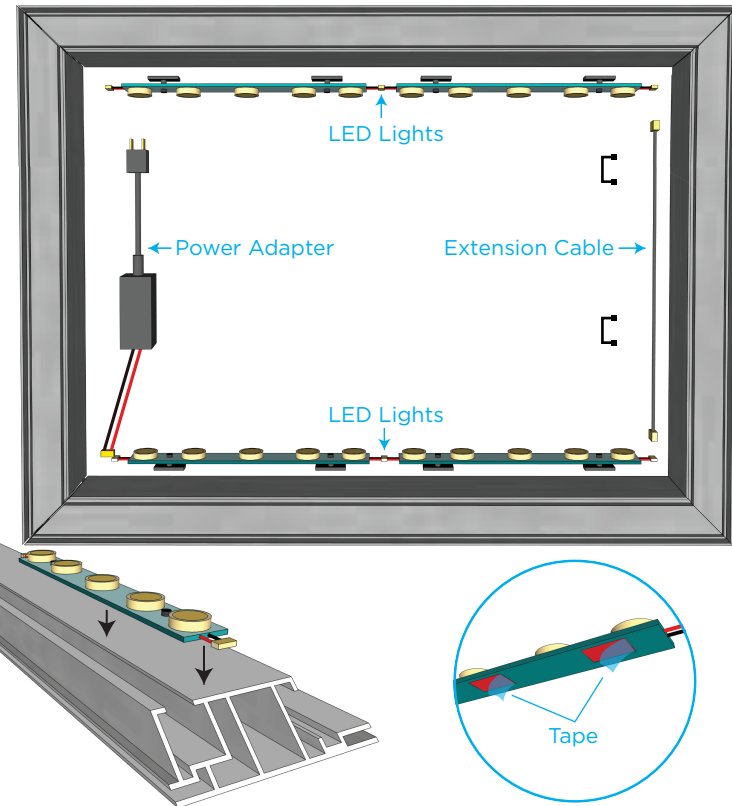
Attach **Wall Mount Brackets** (approximately every 2ft.) to the top of the frame by inserting them into the lip of the **Bracket Channel**. Make certain the **Wall Mount Brackets** are attached to the back of the frame. Mount the frame to your wall using the appropriate hardware (not provided). If the frame is not flush to your wall use the remaining **Wall Mount Brackets** to secure the frame.

Hanging



Connect the **Eye Bolt** to the assembled frame by locating the drill holes on the top **Extrusion**. Check all extrusions if you can not immediately locate the drill holes. Feed the **Eye Bolt** through the **Extrusion** drill holes, tighten and attach. Repeat steps for the remaining **Eye Bolts**.

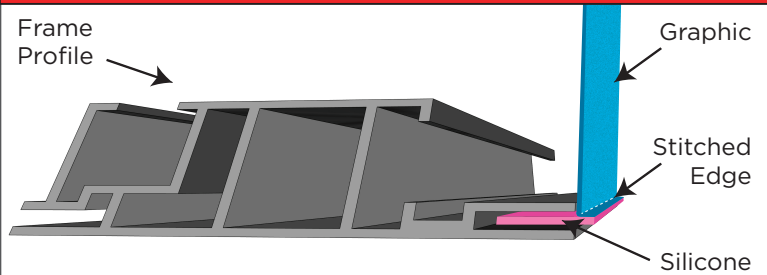
LED LIGHTS DIRECTIONS



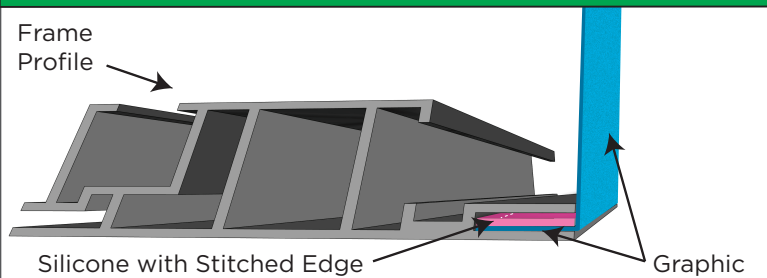
Evenly distribute the LED lights on the top and bottom of the frame. Begin connecting the LED lights, extension cable, and power adapter. Use the clips provided to attach the extension cable to the frame. Finally, apply the LEDs to the frame using the tape on the bottom of the LEDs.

GRAPHIC INSTALLATION

INCORRECT



CORRECT

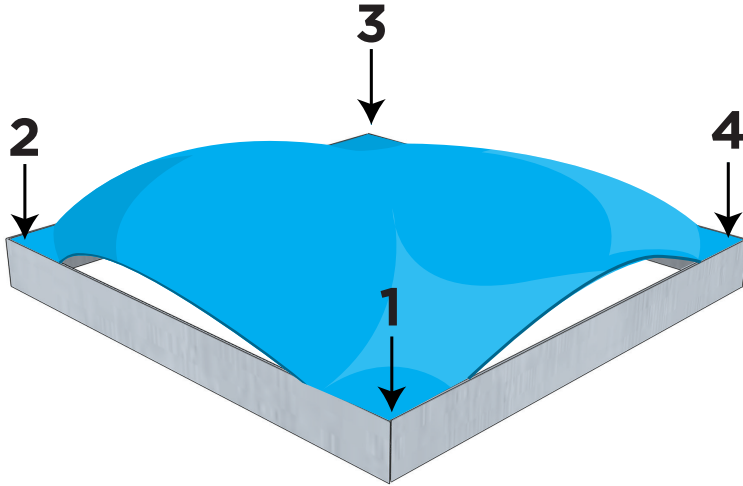


NOTE: Locate the silicone edge on the graphic which is sewn on the back perimeter. When installing the graphic be certain to insert the silicone edge correctly. The stitched edge on the silicone should be inserted first. If done correctly the silicone edge will completely fit in the graphic channel and no longer be visible once installation is complete.

Continued —>

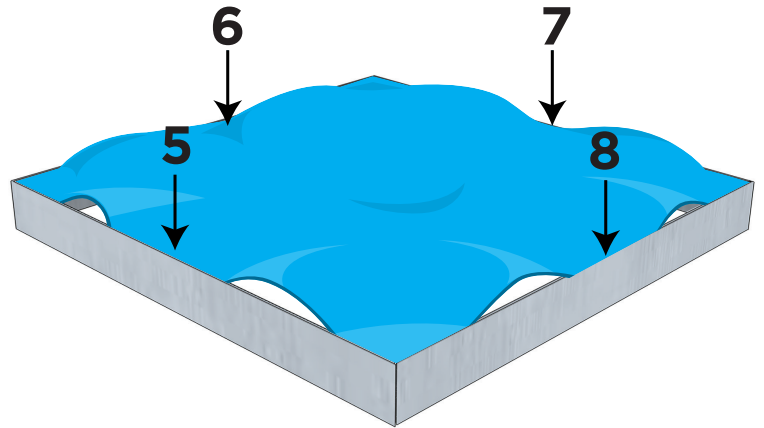
GRAPHIC INSTALLATION cont.

Step 1



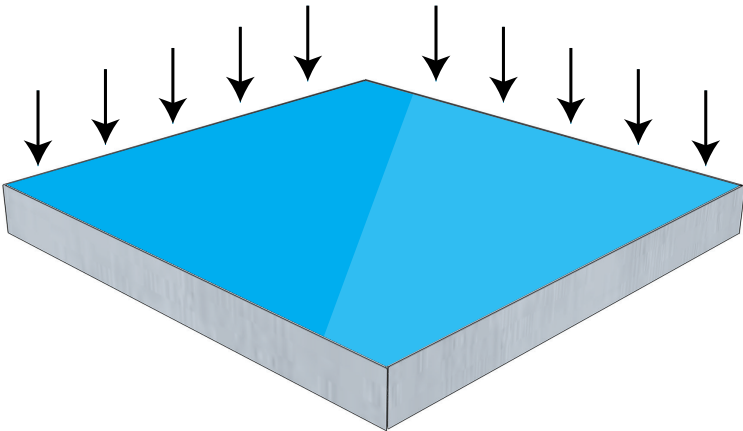
Push the silicone edge into each corner of the frame profile (1-4) with your thumb.

Step 2



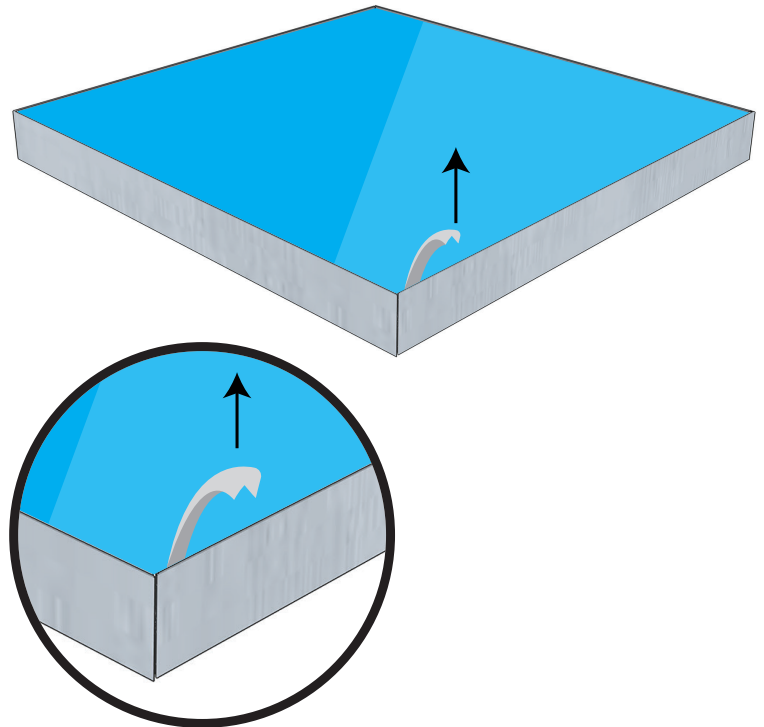
Push the silicone edge into the middle of each frame profile (5-8) and work your way around the perimeter of the frame until the silicone edge of the graphic is pushed in properly.

Step 3



If necessary; Go around the perimeter again to ensure the silicone edge is secure and hidden in the frame profile. The graphic should be smooth and taut.

Graphic Removal



To remove the graphic pull the tab located on the graphic and gently pull the graphic from the frame, going around the perimeter.