

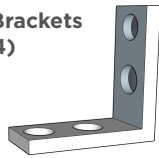
READ EVERY PAGE OF THE INSTRUCTIONS BEFORE ASSEMBLING

FRAME PARTS

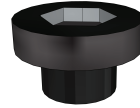
① Extrusions (x4)



② L Brackets (x4)



② Screws (x16)



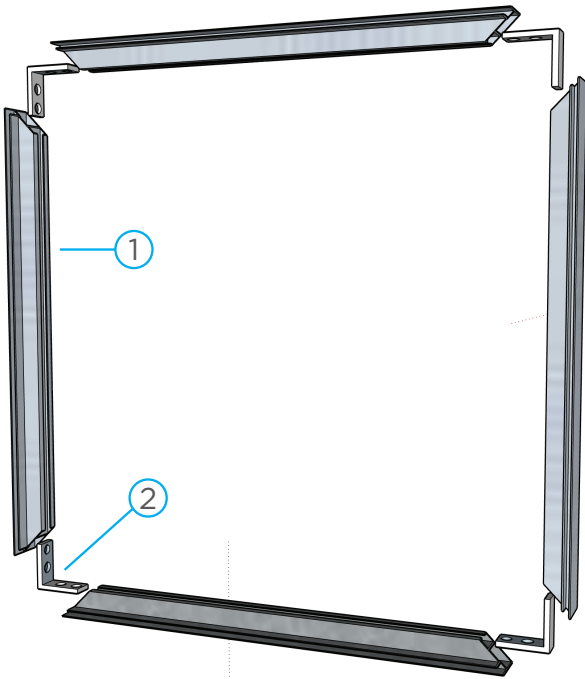
② Hex Key



ASSEMBLY INSTRUCTIONS

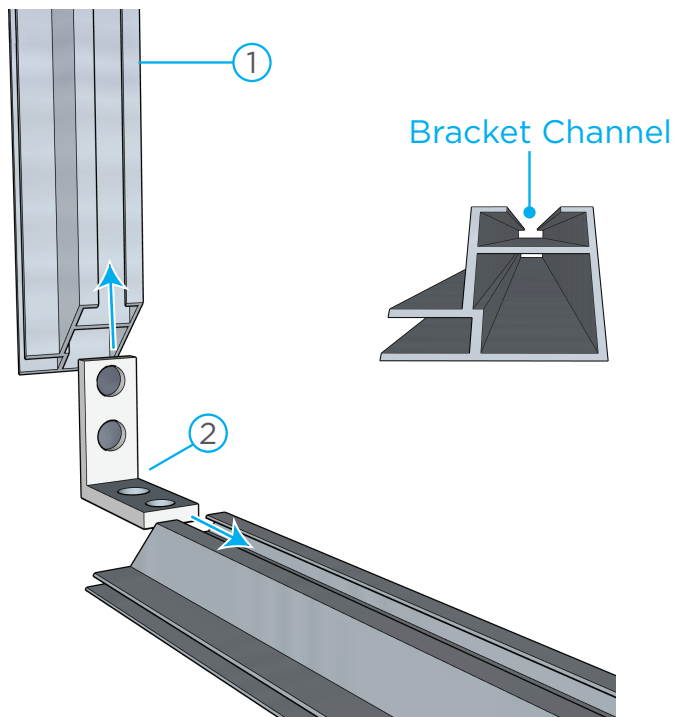
STEP 1

Depending on the size of the frame, form a square or rectangle by laying out the **Extrusions**¹ and the **L Brackets**² as illustrated.

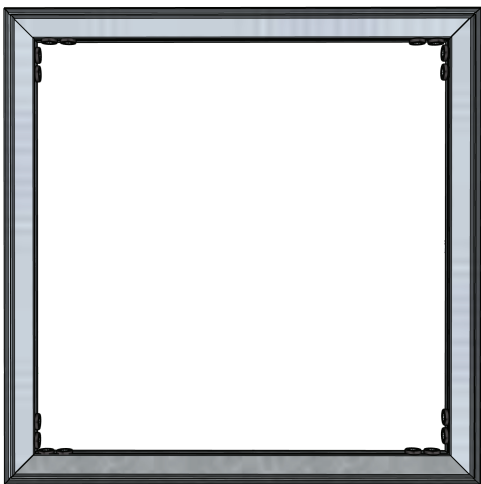


STEP 2

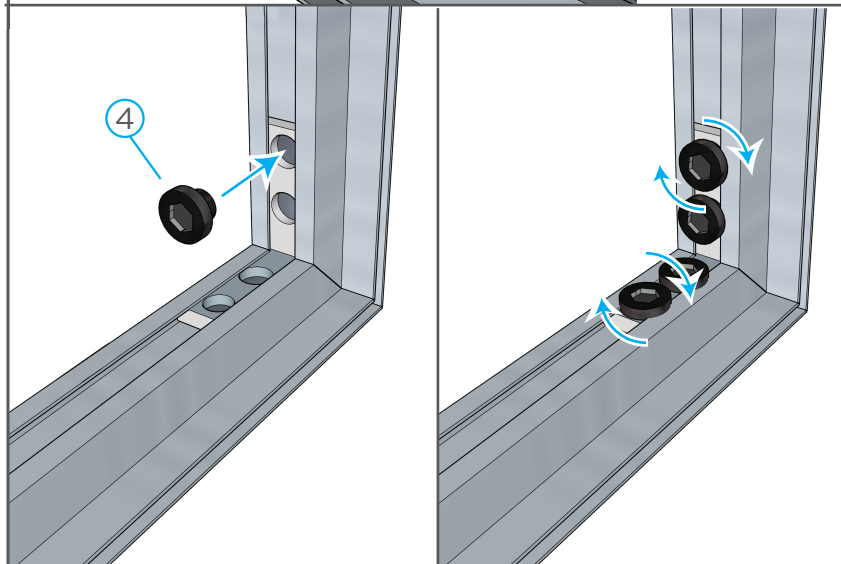
Connect all four corners by inserting the **L Brackets**² into the bracket channel of the **Extrusions**¹. Join the corners together by inserting and tightening 4 **Screws**³ into the **L Brackets**².



STEP 3



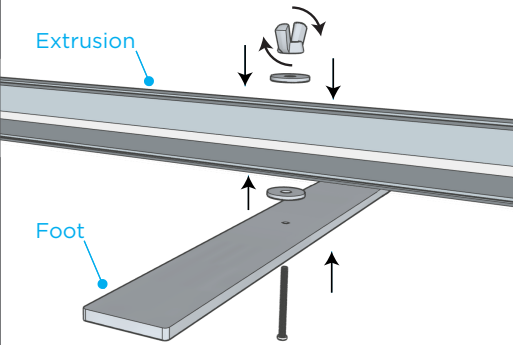
The frame is now fully assembled. The corners should be flush to each other and form a right angle. Adjust the corners if necessary.



Optium Display & Graphic

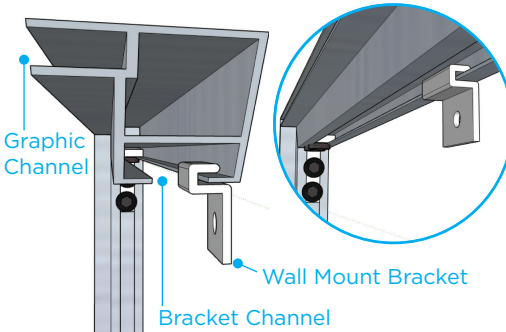
DISPLAY OPTIONS: Free Standing / Wall Mounted / Hanging (depends of purchase)

Free Standing



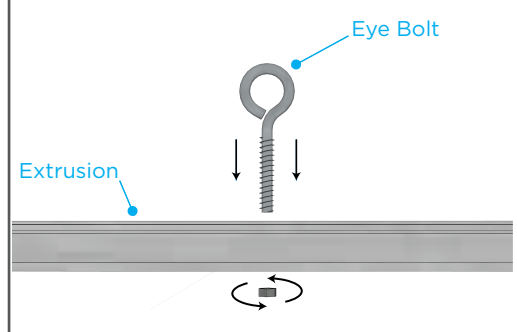
Connect the **Feet** to the assembled frame by locating the drill holes on the bottom **Extrusion**. Check all extrusions if you can not immediately locate the drill holes. Feed the hardware through the **Extrusion** drill holes, tighten and attach the foot. Repeat steps for the other foot.

Wall Mounted



Attach **Wall Mount Brackets** (approximately every 2ft.) to the top of the frame by inserting them into the lip of the **Bracket Channel**. Make certain the **Wall Mount Brackets** are attached to the back of the frame. Mount the frame to your wall using the appropriate hardware (not provided). If the frame is not flush to your wall use the remaining **Wall Mount Brackets** to secure the frame.

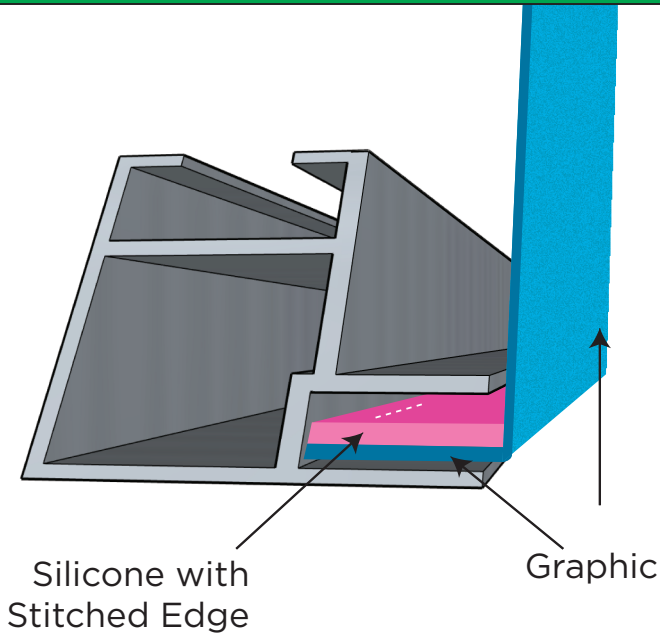
Hanging



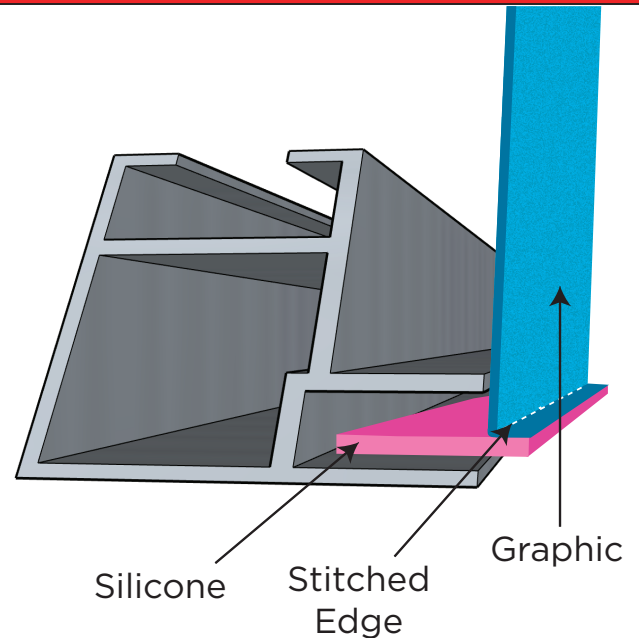
Connect the **Eye Bolt** to the assembled frame by locating the drill holes on the top **Extrusion**. Check all extrusions if you can not immediately locate the drill holes. Feed the **Eye Bolt** through the **Extrusion** drill holes, tighten and attach. Repeat steps for the remaining **Eye Bolt(s)**.

GRAPHIC INSTALLATION

CORRECT



INCORRECT

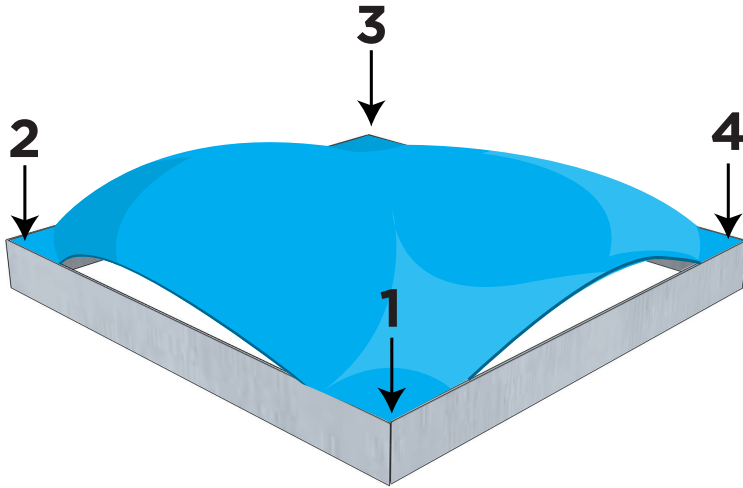


NOTE: Locate the silicone edge on the graphic which is sewn on the back perimeter. When installing the graphic be certain to insert the silicone edge correctly. The stitched edge on the silicone should be inserted first. If done correctly the silicone edge will completely fit in the graphic channel and no longer be visible once installation is complete.

Continued →

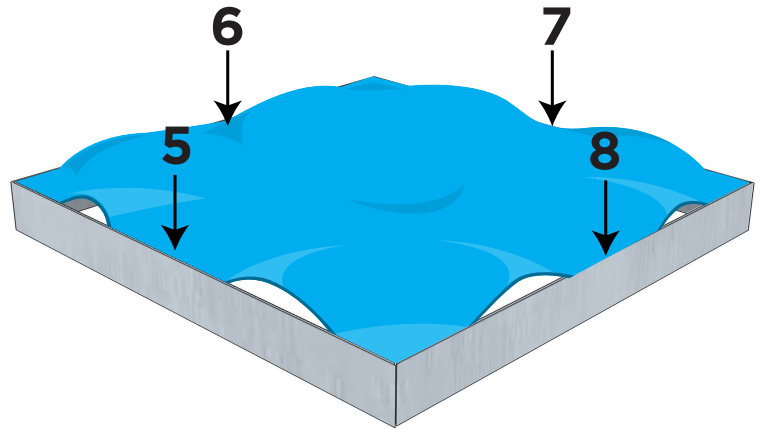
GRAPHIC INSTALLATION cont.

Step 1



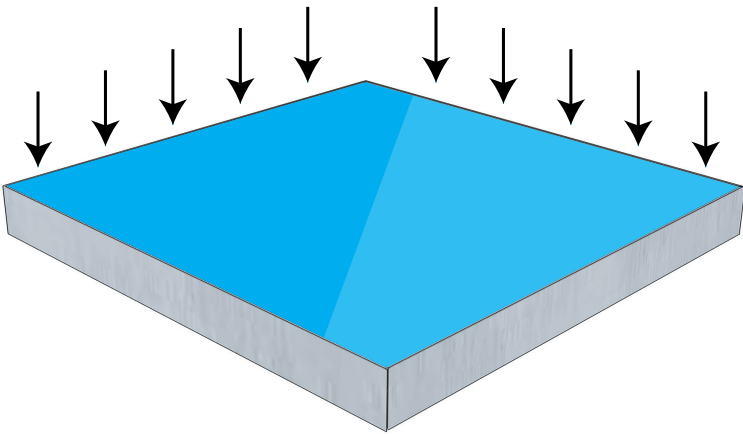
Push the silicone edge into each corner of the frame extrusions (1-4) with your thumb.

Step 2



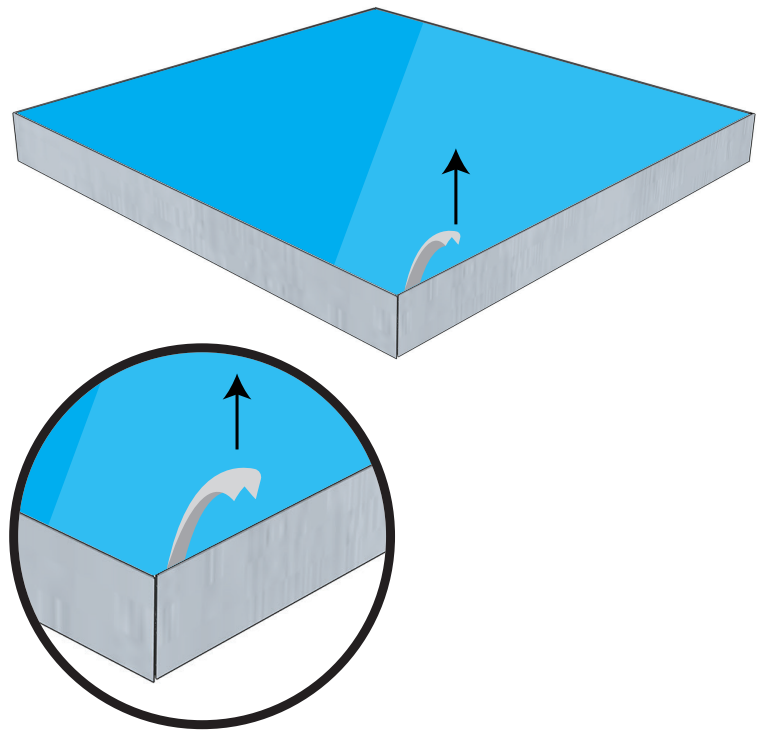
Push the silicone edge into the middle of each frame extrusions (5-8) and work your way around the perimeter of the frame until the silicone edge of the graphic is pushed in properly.

Step 3



If necessary; Go around the perimeter again to ensure the silicone edge is secure and hidden in the frame extrusions. The graphic should be smooth and taut.

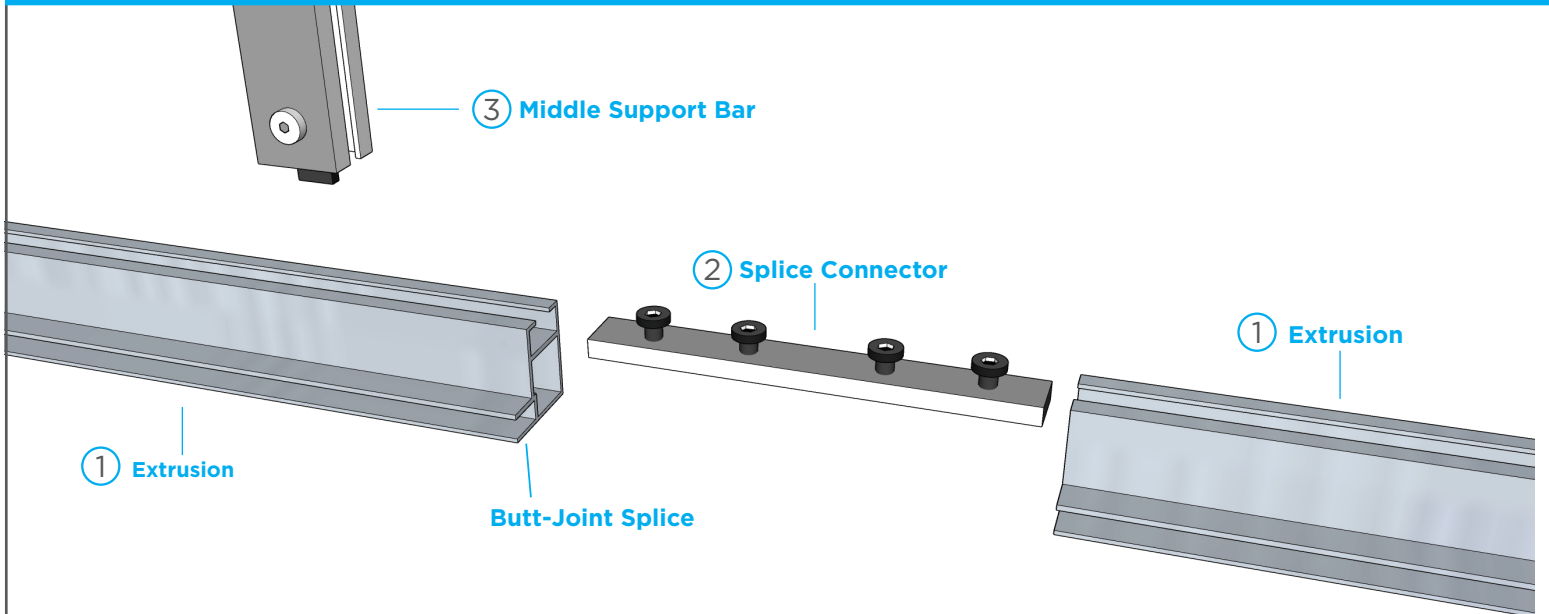
Graphic Removal



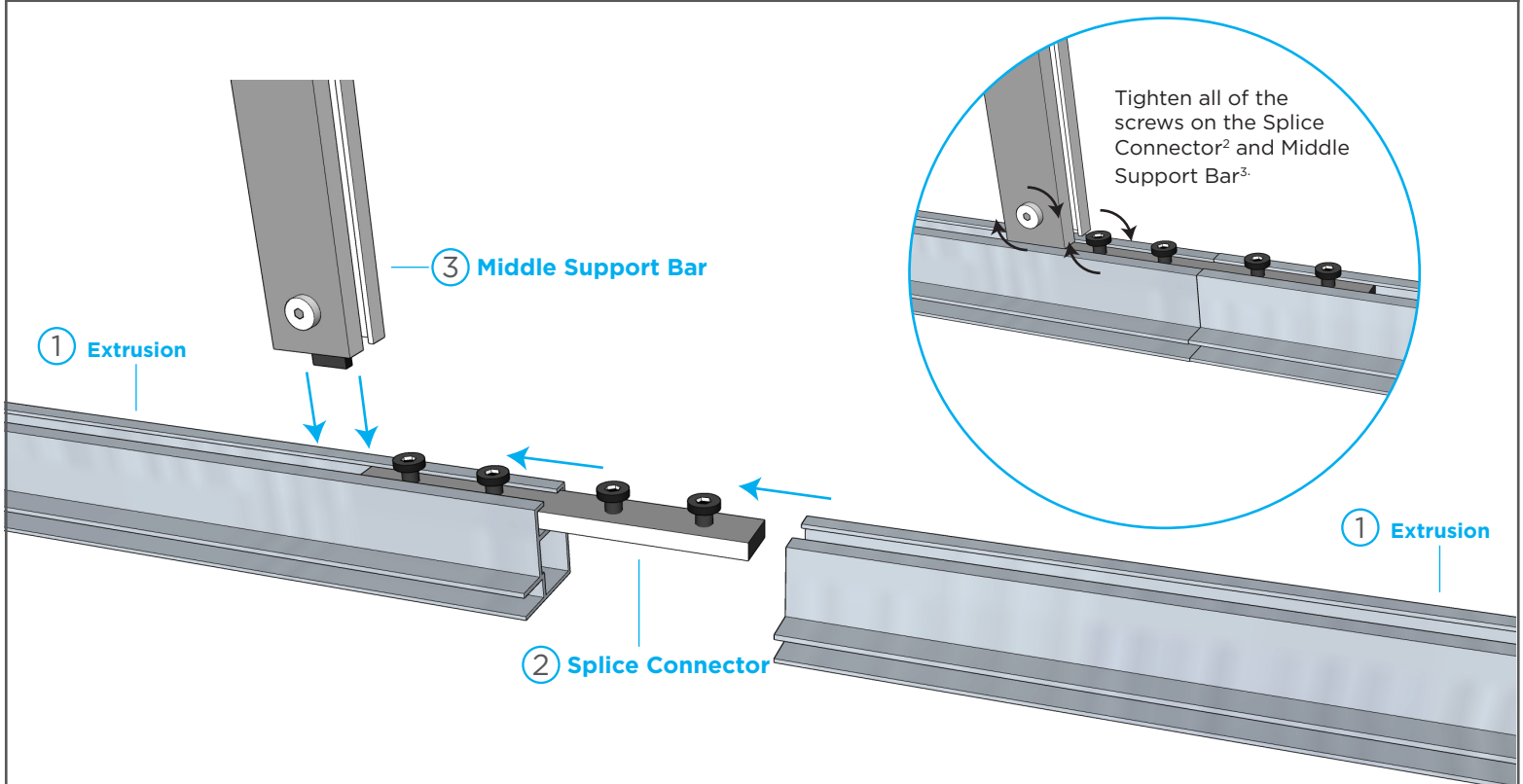
To remove the graphic pull the tab located on the graphic and gently pull the graphic from the frame, going around the perimeter.

Continued →

Splice Connector



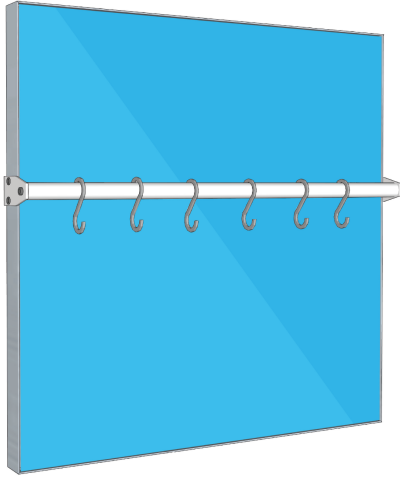
Large, oversized frames may have the **Extrusions**¹ spliced in half for shipping purposes. Under this circumstance you will have to use a **Splice Connector**² to join the **Extrusions**¹ before you begin the steps on **Page 1**. A **Middle Support Bar**³ is then used to keep the **Extrusions**¹ from sagging in the middle.



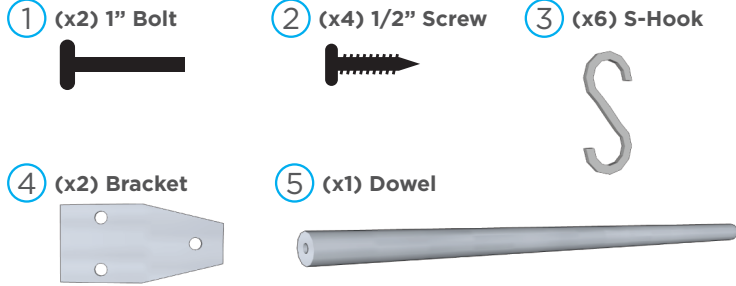
Insert the **Splice Connector**² into the middle, top channel of the spliced **Extrusions**¹. The **Extrusions**¹ should meet and be flush to each other. Tighten the screws on the **Splice Connector**² to fasten the spliced **Extrusions**¹ together. Repeat for the remaining spliced **Extrusions**¹. Proceed to **Page 1** to assemble the frame then take the **Middle Support Bar**³, insert the clamped ends into the top channel of the **Extrusions**¹, and tighten the screw clamp until it is fastened to the frame. Do this for both ends of the **Middle Support Bar**³

Continued →

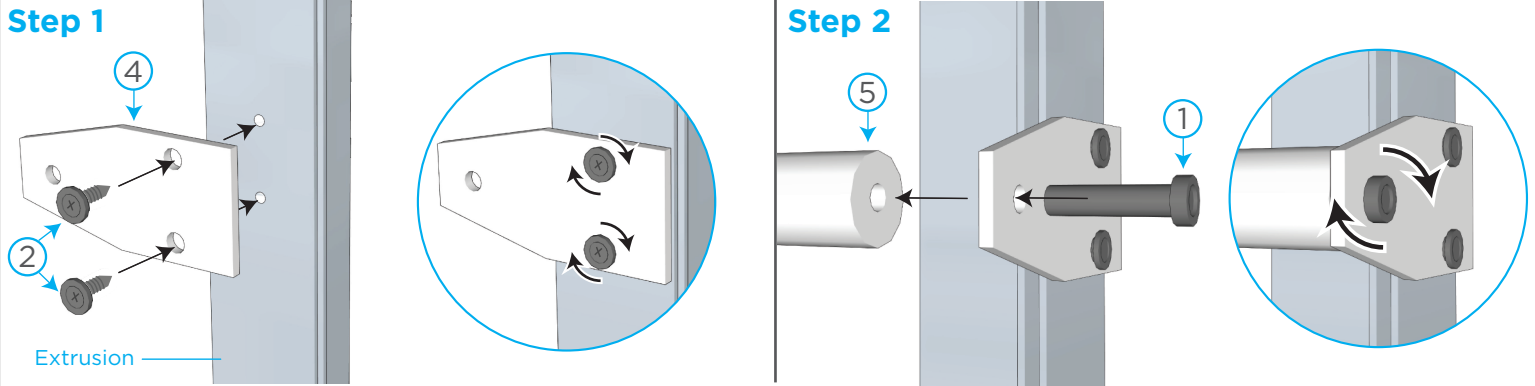
Arm Bar (depends on purchase)



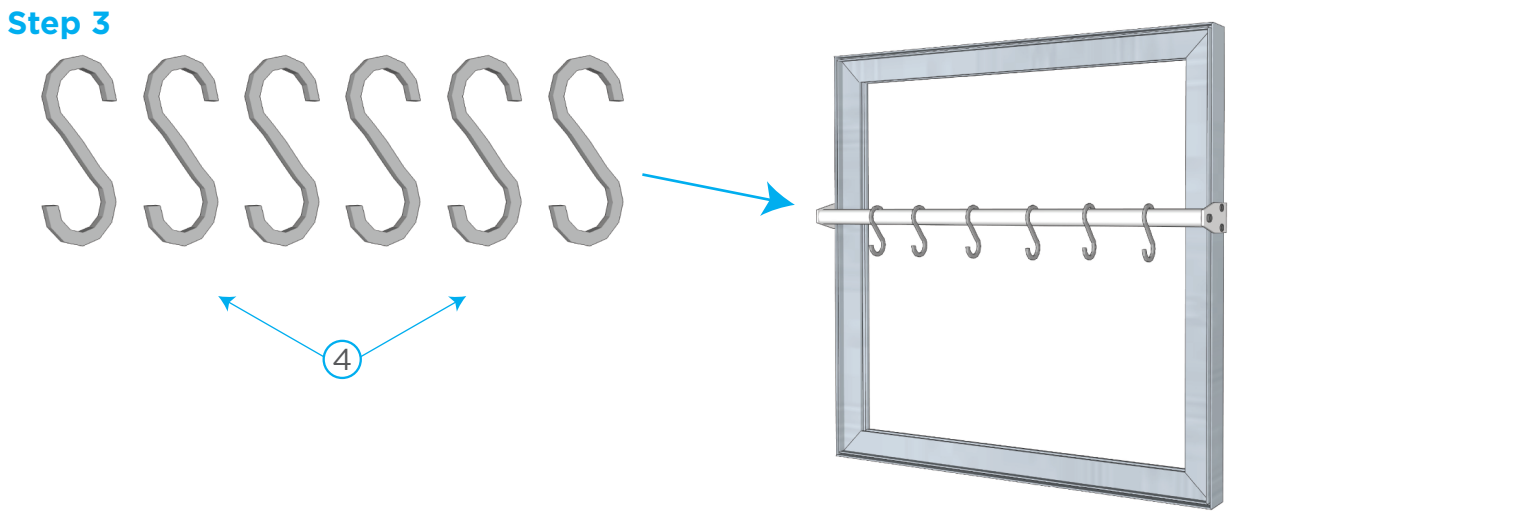
Components



Depending on your purchase, the Optium **Arm Bar** allows you to hang items like swatches, samples, or accessories. Follow the steps below to attach the **Arm Bar** to your Optium frame.



Step 1. You should have 2 extrusions with 2 drill holes on their side. Make certain they are oriented in the same direction on your assembled Optium frame. Attach the **Brackets**⁴ to both sides of your extrusions using the **1/2" Screws**² and tighten until secure. **Step 2.** Attach the **Dowel**⁵ to both **Brackets**⁴ using the **1" Bolt**¹. Feed the **1" Bolt**¹ through the **Bracket**⁴ and thread the **1" Bolt**¹ into the **Dowel**⁵ until secure.



Lastly, Attach the **S-Hooks**³ onto the **Dowel**⁵. Use the **S-Hooks**³ to hang any swatches, sample, or accessory. You may want to attach the graphic to the Optium frame before you attach the **Arm Bar** for an easier graphic install.