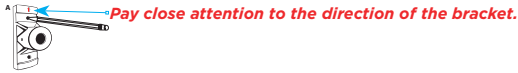


INSTRUCTIONS

STEP 1



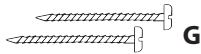
Hold flag bracket base (A) on the wall where you would like to install it, and mark the location of the holes on the wall with pencil.

STEP 2



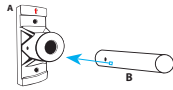
Drill 2 holes with 1/4" bit, and insert the Drywall Anchors (F).

STEP 3



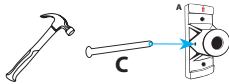
Mount the Base with **arrow pointing up** using screws (G).

STEP 4



Insert fiberglass rod (B) firmly into bracket base (A). Twist until open holes line up.

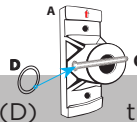
STEP 5



Push clevis pin (C) through open the hole.

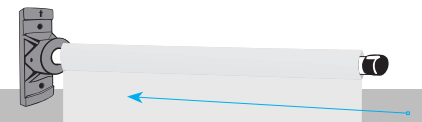
NOTE: rod and bracket holes must line up exactly and will be tight. Mallet/hammer can be used to tap pin through hole.

STEP 6



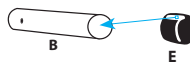
Thread the split ring (D) through hole in end of clevis pin (C) to secure.

STEP 7



Slide top pocket of flag print onto rod (B).

STEP 8



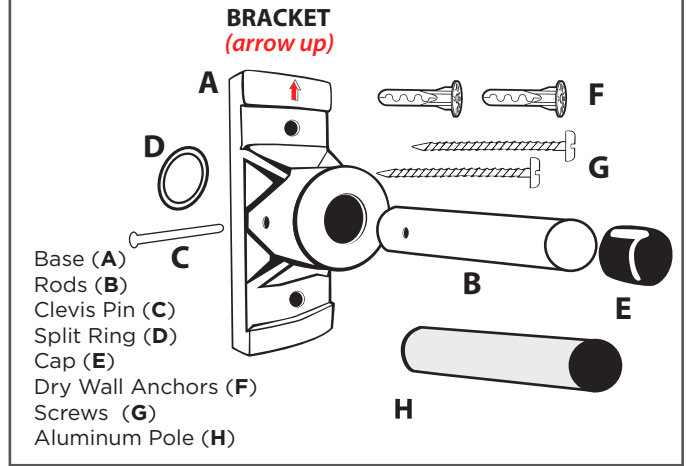
Place cap (E) onto end of rod (B).

STEP 9



Slide Aluminum Pole (H) into bottom pocket of flag print.

WALL MOUNT PARTS

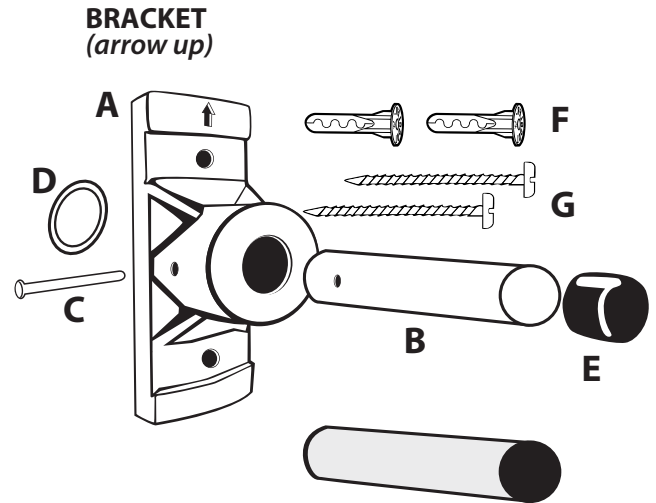


TOOLS



Easy Flag Wall Mount Installation

- 1.) Hold flag bracket Base (A) on the wall where you would like to install it, and mark the location of the holes on the wall with pencil.
- 2.) Drill 2 holes with 1/4" bit, and insert the Drywall Anchors (F).
- 3.) Mount the Base with **arrow pointing up** using screws (G).
- 4.) Insert fiberglass rod (B) firmly into bracket base (A). Twist until open holes line up.
- 5.) Push clevis pin (C) through open hole.
NOTE: rod and bracket holes must line up exactly and will be tight. Mallet/hammer can be used to tap pin through hole.
- 6.) Thread the split ring (D) through hole in end of clevis pin (C) to secure.
- 7.) Slide top pocket of flag print onto rod (B).
- 8.) Place cap (E) onto end of rod (B).
- 9.) Slide Aluminum Pole (H) into bottom pocket of flag print.



KIT CONTAINS:

BASE (A)
RODS (B)
CLEVIS PIN (C)
SPLIT RING (D)
CAP (E)
DRYWALL ANCHORS (F)
SCREWS (G)

TOOLS NEEDED:

- Pencil
- Drill with 1/4" bit
- Philips Screwdriver
- Mallet or Hammer

