



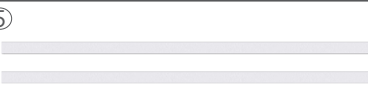
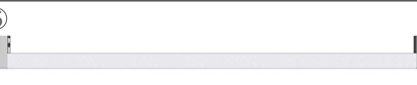
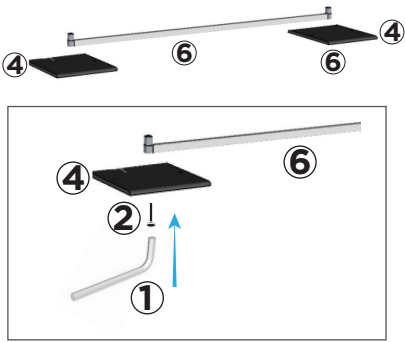


FRAME PARTS LIST

①  Allen Wrench 1 pc	②  Bolts 2 pcs	③  Top Bar (with connectors) 1 pc	④  Base 2 pcs
⑤  Side Bars (without connectors) 2 pcs	⑥  Bottom Bar (with connectors) 1 pc		

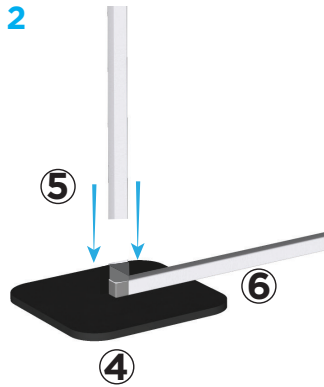
FRAME ASSEMBLY INSTRUCTIONS

STEP 1



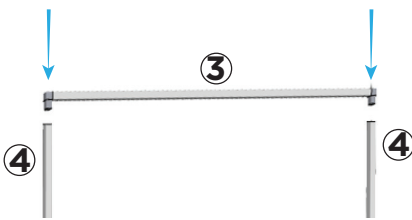
Insert connector bolts through base from bottom, and connect to threaded bottom bar corners using the supplied allen wrench. Tighten completely.

STEP 2



Insert the 2 side bar uprights onto the bottom bar connectors. A rubber mallet or hammer and wood block may be needed to tap the tube completely onto the connector.

STEP 3



Insert the top bar connectors into the top and middle section of the upright bars.

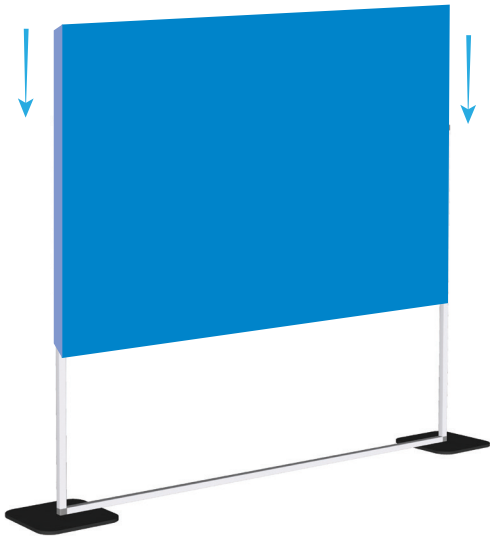
STEP 4



This is how your finished frame will look once the top and bottom bars are connected.

GRAPHIC INSTALLATION

STEP 1



Take your fabric graphic and find the bottom opening. Stitched edge(s) will line up to the narrow edge of the frame.

Carefully pull the graphic over the entire structure like pulling on a sock or pillowcase. When the graphic is all the way on, smooth out wrinkles with your fingers and align seams to edges of the frame.

On tall frames, a helper to hold the fabric for you is highly recommended.

You may also need a step stool or step ladder to get the fabric started over the top of the frame.

