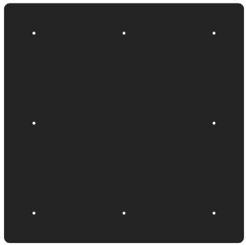
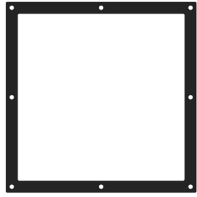






PARTS LIST

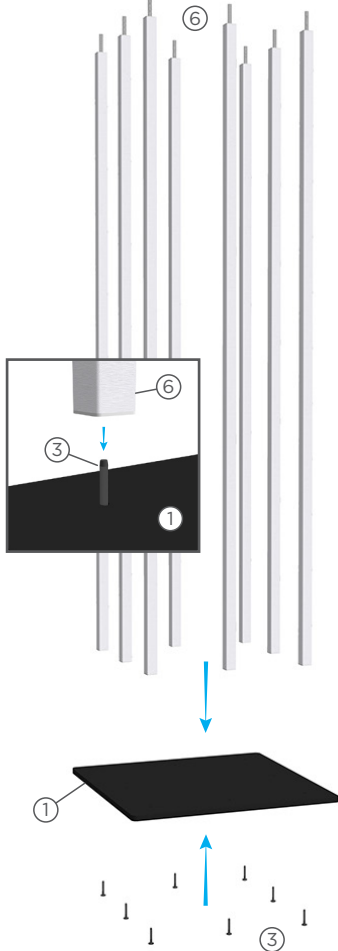
<p>①  Base 1 pc</p>	<p>②  Mid/Top Frame 2 pc</p>	<p>③  Bolt 16 pc</p>	<p>④  80ct Bag of Lights 2 pc</p>
		<p>⑤  Metal Bar 8 pc</p>	
		<p>⑥  Metal Bar with Threaded Rod 8 pc</p>	

YOU WILL NEED: Ladder

While assembly is possible with one person, due to the size of the sign, two people is highly recommended for easy assembly and installation.

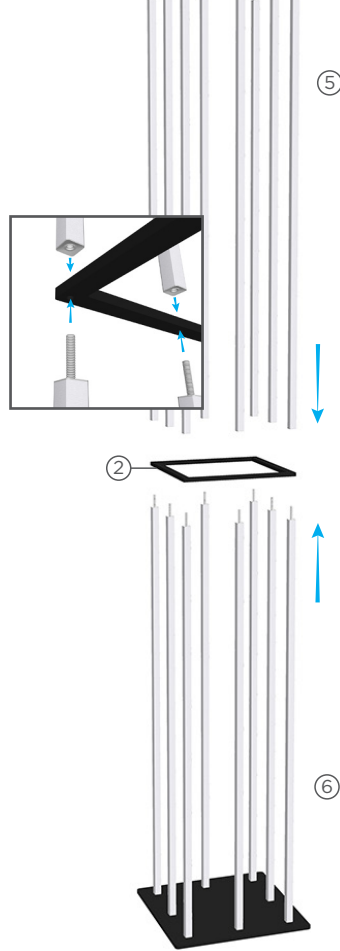
ASSEMBLY INSTRUCTIONS

STEP 1



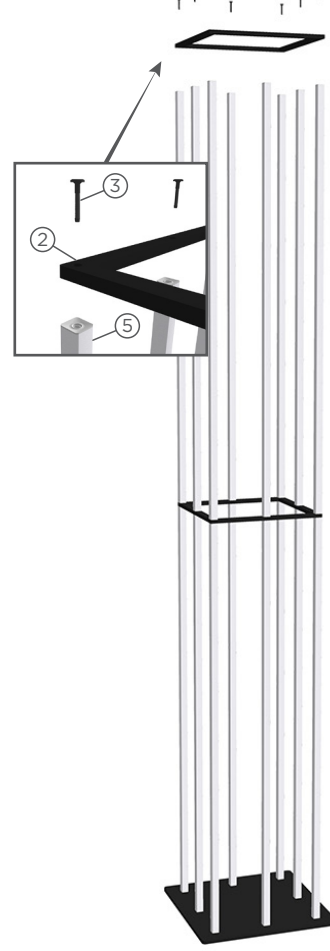
Attach all **bars with threaded rods**^③ to the **base**^① (rod end up) using eight **bolts**^③ through the holes in the base.

STEP 2



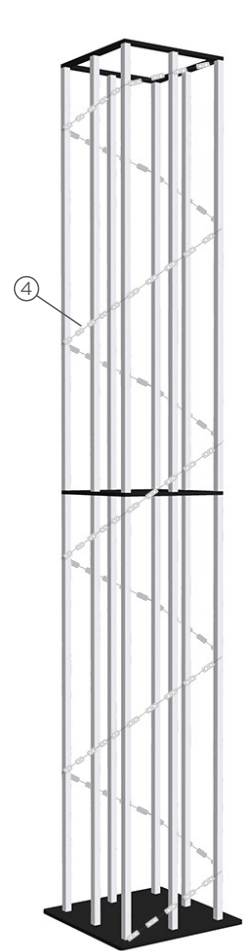
Thread the **rods**^⑥ through the holes of one of the **mid/top frame pieces**^② and secure by screwing all **metal bars**^⑤ to the exposed rods.

STEP 3



Attach the second **mid/top frame**^② to the **metal bars**^⑤ using the remaining **bolts**^③ to complete the frame.

STEP 4



Peel off the adhesive backs of the **lights**^④ as you attach them to the frame in a spiral pattern.